

If you need more information on Computer and Electronic Repair, please visit these websites to improve yourself.

<http://www.fastrepairguide.com>

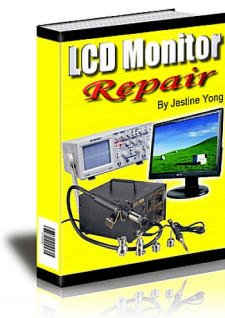
<http://www.protech2u.com>

<http://www.plasma-television-repair.com>

<http://www.lcd-television-repair.com>

Happy Repairing!!

Highly Recommended Repair Ebook:

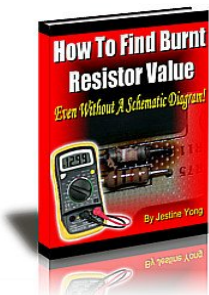


If you're a LCD Monitor repairer, then this is the best guide for you. Why? Because, the author revealed all his LCD Monitor Repairing secrets for you. I think, with just few Repair tips you learned from this guide you will get back your investment!

[Click Here to read](#) more.



This eBook will show you how to test the electronic component correctly and accurately. Some of you may say that I don't need this eBook because it is too simple! Do you know that, in fact there is lots of testing electronic components secrets I have learned from this guide? Do you know how to test a 'TRIAC' correctly and accurately? If you answer no then I guess you have to get this eBook. [Click Here to read more.](#)



Are you tired of searching the service manuals to look for the value of a burnt resistor? If the answer is YES, then this eBook is a 'must have' guide for you. You can save a lot of time and be able to repair customer's Electronic equipment with burnt resistors in it.

[Click here to read more.](#)

COLOUR TELEVISIONS

**17 inch LCD TV
Service Manual**

CONTENTS

PAGES

Safety instructions	1
Technical specifications	2
Instruction manual	3
Interconnection Guide	14
Block diagram	15
Data sheet of important IC's and parts	16
Service Mode and Adjustments	31
Waveforms	33
Part List	36
Exploded view	38
Part list of exploded view	43
Frequency list of channels	44

SAFETY PRECAUTIONS

GENERAL GUIDELINES

1. Always use the manufacturer's replacement safety components. The critical safety components marked with ∇ on the schematics diagrams should not be by other substitutes. Other substitute may create the electrical shock , fire or other hazards. Take attention to replace the spacers with the originals. Furthermore where a short circuit has occurred , replace those components that indicate evidence of overheating.
2. After servicing , see that all the protective devices such as insulation barriers, insulation papers, shields and isolation R-C combinations are correctly installed.
3. When the receiver is not being used for a long time of period of time , unplug the power cord of the Adaptor from the AC outlet.

Color TFT LCD Module is very sensitive both electrically and physically. Users, therefore, are requested to follow the "Guidance of handling color TFT LCD Module" on the followings.

1 - Be careful not to make scratch on the polarizer.

Surface of polarizer is soft and can be physically damaged easily.

Please do not touch, push or rub polarizer surface with materials over HB hardness.

2 - Keep clean the surface.

Please wear rubber glove when touch the surface of LCD screen. Please use soft and anti-static material as cleaner.

3 - Keep out of water.

Water on/in the LCD may cause electrical short or corrosion. Please wipe out dry or water carefully.

4 - Prevent swift Temperature & Humidity change.

Instantaneous temperature and/or humidity change can make dew or ice which cause nonconformance such as malfunction.

5 High temperature & high humidity reduce the life-time.

LCD is not proper to be used at high temperature and high humidity. Please keep specified temperature and humidity condition.

6 - Keep out of Corrosive Gas.

Corrosive gas effect the polarizer and the circuit chemically and cause defects accordingly.

7 - Electrostatic discharge can make Damage

There are electro-static sensitive components such as CMOS in LCD Module. Please earth human body when handle the LCD. In addition, please do not touch the interface connector pin with bare.

8 - Do not operate for a long time under the same pattern

Operating LCD for a long time under the same pattern can cause image persistence and can damage it. Please follow following guidance.

1. Turn the power off when do not use.
2. Change the pattern periodically.

TECHNICAL SPECIFICATIONS

Power source	12VDC , 5A	
	Adaptor input 100-250VAC 50/60Hz	
Aerial Impedance	75Ohm, Coaxial Type	
Receiving System	PAL SECAM BG	
	PAL SECAM BG DK	
	PAL I	
	PAL SECAM BG LL'	
	NTSC (4.43,3.58) tru Scart	
Receiving channels	VHF I Band, CH2-4	
	VHF III Band, CH5-12	
	CABLE Band, S1-S41	
	UHF Band, CH21-69	
TFT LCD Panel	Screen diagonal	17.0 "
	Display area	337.92(H) X 270.336(V) mm
	Number of Pixel	1280 X 1024 Pixel
	Display Colors	16.2 million color
	Response Time	25ms (typ.)
	Contrast ratio	400:1
	Brightness	330 Cd/m2
	Viewing angle	130h / 110v
	Pixel pitch	0.264 mm X 0.264 mm
Back Light	2 dual CCFT	
Teletext	Text, Fasttext, Toptext	
	Page memory 100	
External Connections	Standard VGA Connector	SXGA resolution, 56-85Hz Vertical
	AV1 (AV in-out and RGB connection)	
	AV2 (AV in-out)	
	AV3 (AV input from cinch connector)	
	AVS (SVHS input)	
	Audio line outputs (cinch connector)	
Audio Outputs	2X3W RMS Audio output (at %10 THD)	
	Stereo Headphone	
	A2 stereo, Nicam	
Power Consumption	40W	
	2W at Stand by	
Dimensions/Weight	Weight (Net/Brut)	5.95 Kg/ 8 Kg
	Dimension - without Leg	510x81x353mm
	Dimension -with Leg	510x180x390 mm

Getting started

Remove your Television carefully from the box. You may wish to store the packaging for future use.

In the box

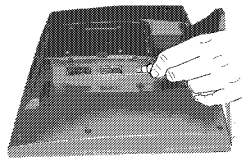
Inside the cartoon box you should have:

- Accessories box
- Power cord
- Adapter
- Remote control
- Batteries

Read these instructions before use.

Aerial connection

To connect an aerial, plug the aerial lead into the aerial socket on the rear of the TV.



You can use an outdoor or indoor aerial. However, if you use an indoor aerial the quality of the reception may be reduced and adjustment of the aerial may be required when changing programs.

Please note

If you live in a poor reception area or use an indoor aerial you may experience loss or corruption of teletext transmissions.

Switching on and First Use

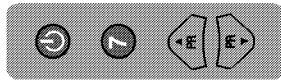
1. Connect the power cord to the mains plug.
2. Connect the input socket of the adapter to the 12 V DC socket at the back panel of the LCD TV.
3. Connect adapter to the mains plug.

Note 1: Your TV will move to stand-by mode in five minutes when there is no broadcast signal.

Note 2: Your TV is equipped to operate with front panel buttons, "MENU", "PR+", "PR-", "+", "-", " in case your R/C is broken or you run out of batteries.

Please Note

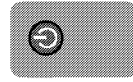
When not in use disconnect the plug from the mains power supply.



4. Press the **Power** button on the front of the TV. The standby indicator will illuminate.

5. Press a **Numeric** button or the **Program up** or **Program down** button on the remote handset or **Program up, Program down** or **MENU** button on the front panel to switch the TV on.

The standby indicator remains on. The picture will appear after a few seconds.



Press the **Standby** button to switch the TV to standby. The standby indicator will brighter.

Please Note

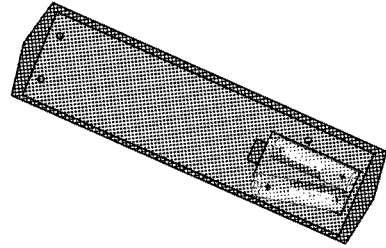
Do not leave the television on standby unattended or overnight.

Switching the TV on for the first time

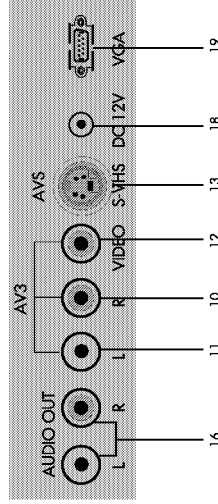
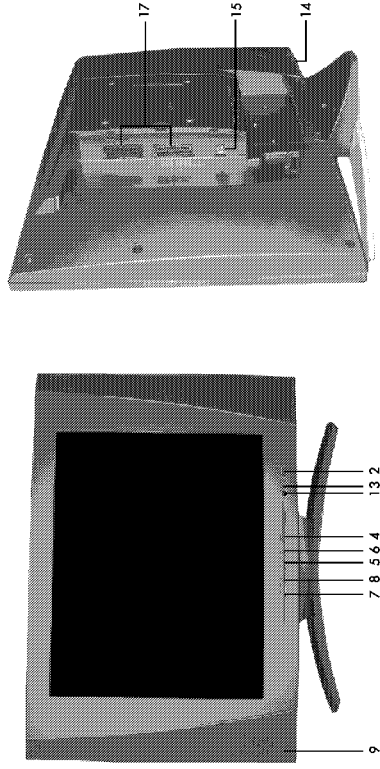
To install your TV, please read the sections "TV controls" and "Tuning the television".

Battery fitting

Insert the 2 AAA Batteries supplied into the compartment on the rear of the remote control, ensure you follow the polarity diagram inside the compartment.



Control Unit



1. Stand-by
2. Power on / off
3. Remote control
4. Menu button
5. Program down
6. Program up
7. Volume down
8. Volume up
9. Speaker
10. Audio RCA (R)
11. Audio RCA (L)
12. Video input CINCH connector
13. S-VHS
14. Headphone
15. Antenna input
16. Audio out (R,L)
17. 2 Scart
18. DC 12V Power supply input
19. VGA

Please note

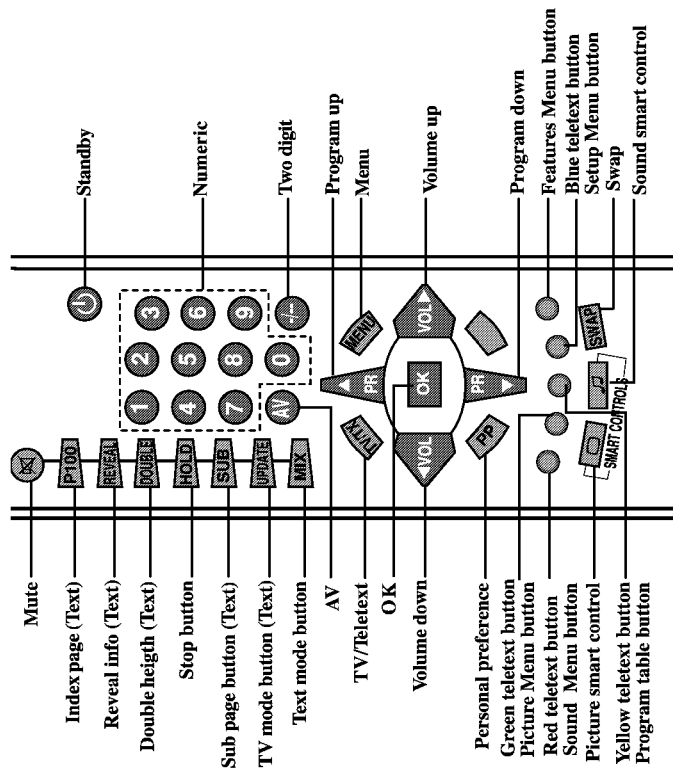
- See the external connections table on next page for available connections.
- Do not use Video RCA and S-Video connections at the same time, otherwise they will effect the picture each other.
- RGB inputs from scart will give you better picture quality.

External connections table

Picture tube size/type	17" 4:3
AV1 Scart	STD.
AV2 Scart	STD.
Headphone socket	STD.
Audio/Video RCA	STD.
S-Video socket	STD.
Back audio out	STD.

STD : Standard
OPT : Optional
N/A : Not available

Remote control

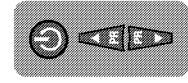


Using the TV

Turning on for the first time and Tuning

TV controls

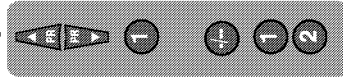
Stand-By mode



When your TV is working on, press the red "STAND-BY" button on the right upper corner of your remote control to switch off and the Stand-By indicator (Led) will be brighter. To turn on your TV again, press one of the numeric buttons, **Program up** or **Program down**.

Please Note: If you will not use your TV for a long time, do not leave it on Stand-By mode, instead switch it off from the power button on the front panel of the TV set.

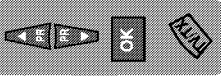
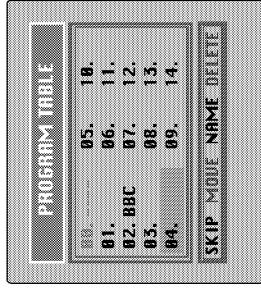
Programme selection



Press the **Program up** or **Program down** buttons on the TV or remote control or press a **Numeric** button to select a programme.

To select a programme whose number is greater than 9 using the numeric buttons, press the **-/+** button first and then press the two **Numeric** buttons. For example, to select programme 12, press the **-/+** button followed by **1** and then **2**.

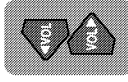
You can also select a program by pressing in the Yellow button to see the Program Table.



Use the **Program up** and **Program down** buttons to scroll through the programme numbers. When you find the program number you want press the **OK** button again.

Press the **TV/TX** button to close the Program Table.

Volume



Press the **Volume +** or **Volume -** button on the TV or the **Vol ◀** or **Vol ▶** button on the remote control. A sound level bar will appear on the screen.

Mute



To mute the sound press the **Mute** button on the remote control. A loudspeaker symbol will appear on the screen.

Press the **Mute** button again to restore the sound. The symbol will disappear.

Pressing **Volume up** buttons will also restore the sound. But pressing the **Volume down** button will decrease the volume without restoring.

Personal preference: Press the **PP** button to revert to the default settings for the TV. (See TV setup).

Select the programme you would like to recall by pressing **SWAP** button. Selected programme number will appear on the lower left side of the screen. While watching any programme, you can recall the selected one by pressing **SWAP** button again. If you press swap button again you can recall the last programme you watched. You can cancel **SWAP** function by pressing **MENU** button.

PR 01 → **SWAP** **PR 11** → **PR 12** → **PR 13**... → **SWAP** **PR 01**

Your TV has 2 scarts so every time you press your AV button, your input will change as follows:

- 1 AV1 when using SCART socket 1 (RGB support) (Option).
- 2 AV2 when using SCART socket 2.
- 3 AV3 when using the RCA sockets of the TV.
- 4 AVS when using the S-video socket.

Press the **AV** button again to return to TV.

Tuning the television

There are two ways of tuning your television: Manual, where you control the tuning process or Autoprogram where the television does it all automatically.

Your TV will sort all the channels with the AFS. Sorting will be performed in the following order:

- a- Selected country's channels with teletext and channel names.
- b- Selected country's channels with teletext and without channel names.
- c- Selected country's channels without teletext.
- d- Foreign channels with teletext and channel names.

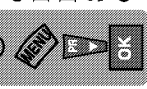
Please Note

If the TV is set to a channel with no signal the TV will return to standby in 5 minutes. The last minute remaining is displayed on the screen.

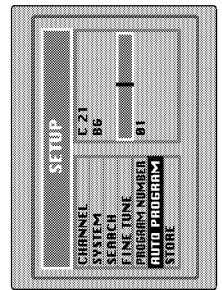
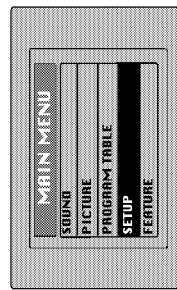
Automatic tuning (Autoprogram)

There are two ways to access the SETUP menu:

Press the blue **Setup** button.



or
Press the **Menu** button and use the **Program down** button to select SETUP. Press the **OK** button to enter the SETUP menu.

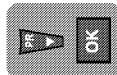


Please note

The system will displayed automatically on SYSTEM row i.e.BG, L, I, DK depending the receiving broadcasting system of the country. In some countries the broadcasting system can be both in BG/DK or BG/LL. Only the TV sets produced with Pal Secam BG/DK or Pal Secam BG/LL systems can receive both BG/DK or BG/LL broadcasts. In this case the user can select the required SYSTEM using **Volume up/down** buttons.

Please note

If you do not press any buttons for 15 seconds the TV will exit the menu system.



Use the Program down button to select AUTOPROGRAM and press the OK button. A list of countries will appear. Select the desired country using **Program** and **Volume** buttons.



When you are sure the aerial is connected properly press the **OK** button. Autoprogram will start.

To cancel Autoprogram whilst it is working press the **Menu** button repetitively.

As Autoprogram stores a channel it will appear briefly on the screen before the search continues.

Your TV is now tuned and ready to use.

Please note:

If auto sort fails to arrange the programmes in the required sequence please refer to programme organising.

Manual tuning

If you want to tune manually:



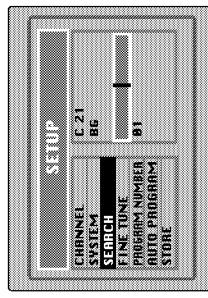
In the Setup menu select PROGRAM NO using the **Program down** button and use the **Volume up** button to change the Program No to 01.

Starting with Program 01, tune in the first channel as follows:

Use the **Program down** button to select SEARCH.

Press the **Volume up** or **Volume down** button to start the tuning search.

When the search finds a strong channel signal it will stop searching. The picture will appear.



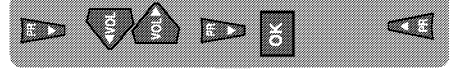
Use the **Program down** button to select PROGRAM NO.

Use the **Volume up/down** or numeric buttons to select the desired programme number.

Use the **Program down** button to select STORE. Press the **OK** button and STORE will appear on the STORE line.

You have now stored the first channel.

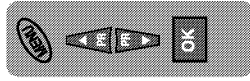
Use the **Program up** button to select again SEARCH and continue the tuning procedure until you have tuned in all the programmes you want or the television can receive.



TV set up

The TV set up is accessed through a menu system.

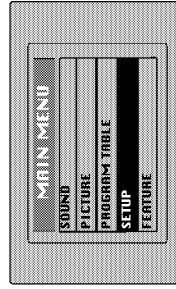
Once you have stored your set up, this is the set up the TV will default to when you switch it on.



To enter the MAIN menu press the **Menu** button.

Once in the MAIN menu use the **Program up** and **Program down** buttons to select items in the menu and the **OK** to access sub menus or use the coloured fasttext buttons for quick access.

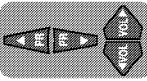
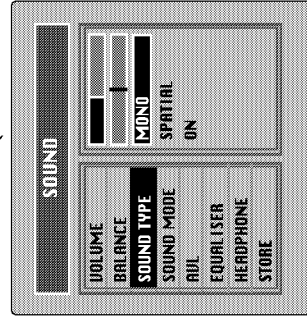
Red button - SOUND
Green button - PICTURE
Pink button - FEATURES



Please note

If you do not press any buttons for 15 seconds the TV will exit the menu system.

Sound menu (red button)

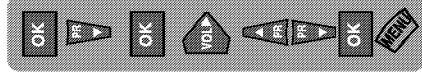


Select the required item in the menu using the **Program up/down** buttons and make the changes pressing **Volume up/down** buttons. Use the **OK** button to enter HEADPHONE from main menu.

Sound mode

You can select **NORMAL** or **SPATIAL Volume up/down** buttons.

SPATIAL sound is an 'expanded stereo'. It gives the impression that the two speakers in the TV are further apart than they really are.



Press the **OK** button to enter the **EQUALIZER** menu.

Use the **Program down** button to select **USER1**.

Press **OK** button to adjust the frequency band levels.

Use the **Volume up** button to select the **KHz** column you want to change.

Use the **Program up/down** buttons to make the changes.

To save your settings, press the **OK** button. Press the **Menu** button to go back to the previous menu.

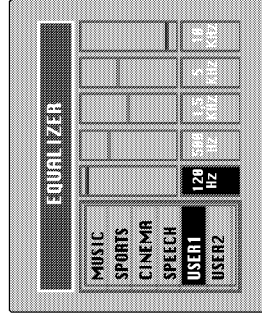
AVL

TV transmitters have different sound levels. AVL (automatic volume limiting) maintains the same sound level as you switch from program to program.

To apply this press **Volume up** or **down** button and select **ON** for **AVL** in **Sound Features** menu.

Equalizer

To access the 5 band equalizer menu press **Volume up** or **down** button and press **OK** on the **Equalizer** line.



In this menu there are a series of preset equalizer settings for different types of sound output.

There are four music settings - **MUSIC**, **SPORTS**, **CINEMA**, **SPEECH** and **USER1** & **USER2** modes.

MUSIC, **SPORTS**, **CINEMA**, **SPEECH** are factory presets.

USER modes allow you to set your own sound outputs as follows:

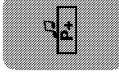
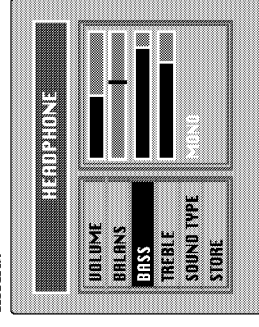
To save your settings, select **STORE** and press the **OK** button. **STORED** will be displayed. Press the **Menu** button to go back to the previous menu.



Headphone

You can set up the volume, balance, bass treble and sound type (stereo or mono) of the headphone output.

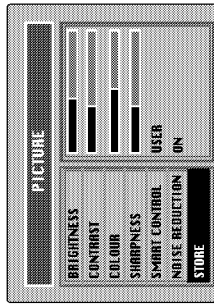
Use **OK** button to enter the **HEADPHONE** menu.



Press the sound **Smart control** to page through the different equalizer settings and select the one you want.

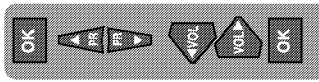
Once you have switched the TV off the equalizer setting will revert to the stored setting.

Picture menu (Green button)



The picture menu allows you to set up the following:

BRIGHTNESS
CONTRAST
COLOUR
SHARPNESS
SMART CONTROL
and NOISE REDUCTION



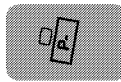
To change, for example, the colour, select it using **Program up** and **down** buttons.

Use the **Volume up** and **Volume down** buttons to change the setting.

To save your settings, select **STORE** and press the **OK** button. **STORED** will be displayed.

These settings are stored as **USER** picture type.

You can change the picture type whilst watching the TV using the picture **Smart control**.



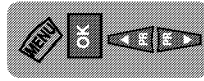
Press the picture **Smart control** page through the different picture types and select the one you want: **SOFT**, **NATURAL**, **RICH** or **USER**.

NOISE REDUCTION: You can reduce the noise effects in the pictures by selecting **ON**.



To save your settings, select **STORE** and press the **OK** button. **STORED** will be displayed. Press the **Menu** button to go back to the previous menu.

Features Menu (Purple button)

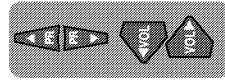


To select **Features** menu press the menu button and using the **Program up** and **down** buttons select **Features**.

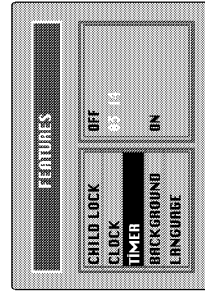
You can also select the **Features** menu directly by pressing the **purple** button on the remote control.

The **Features** menu allows you to set up the following:

CHILD LOCK
CLOCK
TIMER
BACKGROUND
LANGUAGE



Use the **Program up** and **down** buttons to select the feature you wish to change and use **Volume up** and **down** buttons to adjust this feature.



Child Lock: Using the **Child Lock**, you can lock any Program you want so that adult channels can not be watched by children.

You can cancel child lock any time you want. To cancel **Child Lock**, select **Child Lock** as **OFF** when you are watching that program.

Clock: Use the numeric buttons to set the real time.

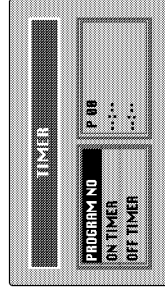
Note: If you enter any channel with teletext transmission, clock will automatically set to real time.

Background: You can adjust the menu background as **ON** or **OFF**.

Language: You can select one of the 16 languages by pressing **OK** button in the language selection.

Timer: Use **Program up** and **down** buttons to select **Timer** in the features menu. Using the **Timer** function, you can switch to a specific programme at a pre-programmed time or you can turn your TV off at the time you want your TV to be turned off.

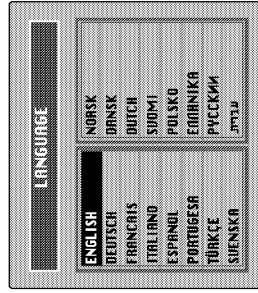
Press **OK** to access the **Timer** menu.



On Timer: Use the numeric buttons to set the time that you want your TV to be turned on (TV should be on stand-by mode).

Off Timer: Use the numeric buttons to set the time that you want your TV to be turned off (Stand-by mode).

Program No: Use the numeric buttons to set the programme number that will be shown when you set the **On Time**.



Using Teletext

Teletext is an information system that displays text on your TV screen. Using the teletext control buttons you can view pages of information that are listed in the teletext index.

Please Note

No on screen display is available in text mode. The contrast, brightness and colour cannot be changed but the volume control is still available.

To enter Text mode

Please Note

Make sure the TV channel you are watching transmits teletext. If not NO TEXT sign will be shown on the screen.

Press the **TV/TEXT** button. The text page will appear, normally the index page.

To exit Text mode

Press the **TV/TEXT** button. The TV will return to the channel you were watching.

To select a page of text

Find the number of the page in the index and enter it using the **Numeric** buttons. The number of the page will appear in the top left hand corner of the screen.

The page counter will search for your page. When it finds it, the page will be displayed.

To move to the next page of text press the **Program up** button.

To move to the previous page press the **Program down** button.

To return to the index page press the **PI00** button.

TV/text mix

To view a page of text whilst watching a TV programme press the **MIX** button. The text will be superimposed over the TV programme.

Press the **MIX** button again to return to the text page.

Page search whilst watching TV

In Text mode press the Update button. The TV will return to TV mode with the text page number in the top left hand corner of the screen.

Enter the page number you want using the **Numeric** buttons.

The top line of the text page will appear whilst the text searches for your page. When the page is found the number will remain in the top left hand corner of the screen.

Press the **Update** button to view your selected page of text.

Double height text

If you have difficulty reading the text on the TV you can double the height of the text.

Press the **Double height** button. The top half of the page will be displayed in double height text.

Press the **Double height** button again. The bottom half of the page will be displayed in double height text.

Press the **Double height** button again to return to the full page.

Page Stop

If the page of text you have selected contains sub pages, these sub pages will automatically be displayed in order with a delay to allow you to read the page.

To stop the move to the next sub page press the **STOP** button. **STOP** will appear in the top left hand corner.

To continue moving through the sub pages press the **STOP** button again.

To select a sub page

If the page of text you are viewing contains sub pages, the number of the sub page you are on and the total number of sub pages is displayed on the right of the screen i.e. 1/7.

To select a sub page press the **SUB** button. Press green button to select next sub-page or press red button to select previous sub-page.

Enter the number of the sub page, using the **Numeric** buttons in the format S0001 for sub page 1.

The teletext will search for the sub page. This may take some time. To return to the TV whilst the teletext is searching press the **Update** button.

When the page number is found it will appear in the top left hand corner of the screen.

Press the **Update** button again to view the text page.

To reveal information

Press the **Rev** button to reveal concealed information (quiz answers etc.).

Press the **Rev** button again to conceal the information again.

Clock

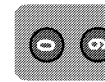
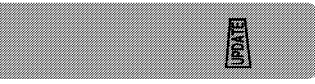
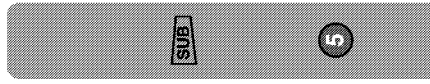
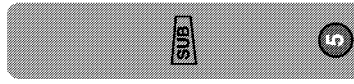
Press the **Sub** button, whilst watching a TV program, to display the time.

Fast text

At the bottom of the teletext screen is a row of subject headings in red, green yellow and blue.

The remote control has a row of coloured buttons corresponding to the row of coloured subjects on the screen.

Pressing one of the coloured buttons will take you directly to the page corresponding to the subject heading.



Connecting external equipment

You can connect a wide range of audio and video equipment to your TV.

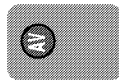
Connecting a video recorder

1 Via SCART

Make sure the TV and video recorder are both switched off.

Plug one end of the SCART lead (not supplied) into the back of the video recorder and the other end into one of the SCART sockets on the back of the TV.

Switch on the video recorder and the TV.



Press the **AV** button on the remote control to select AV1, AV2 to correspond with SCART socket you are using on the back of the TV.

Please note:

You can connect a RGB external equipment via Scart 1. It is necessary to you use full Scart cable for this purpose.

Select the video outputs of external device by using its menu to RGB if it's available.

3 Via aerial socket

Make sure the TV and video recorder are both switched off.

Unplug the aerial lead from the TV and plug it into the aerial socket on the video recorder (if fitted).

Plug a coaxial plug into the RF out. socket on the rear of the video recorder and plug the other end into the aerial socket of the TV.

Switch on the video recorder and the TV.

If your video recorder has a test signal, switch it on. (Refer to the video recorder user guide).

See 'Tuning the TV' and carry out the tuning procedure for the video recorder test signal. Select a programme number 0.

4 Via RCA lead and S-Video socket

You can also connect it through the S-Video socket of the TV.

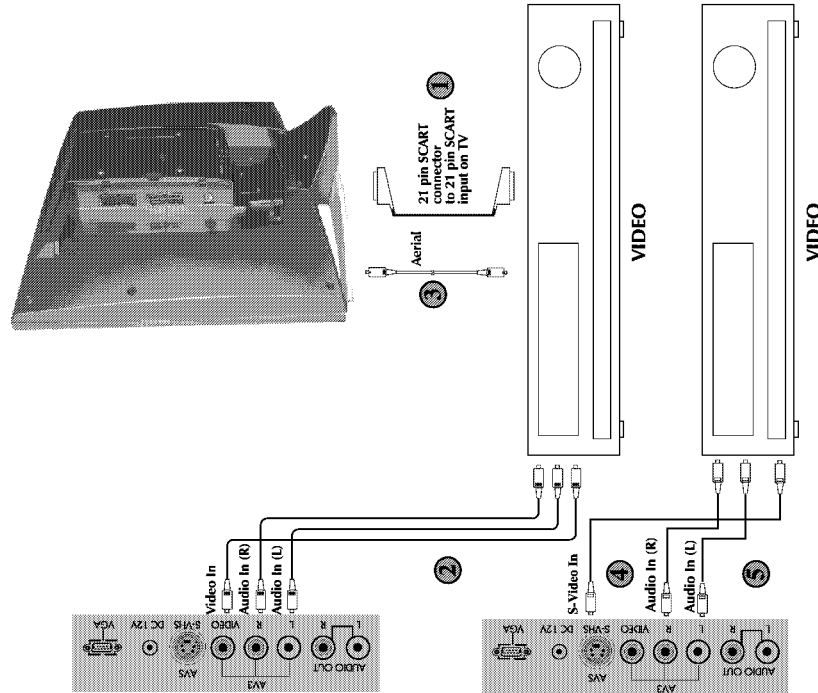
Plug the S-Video plug into the S-Video socket and the audio leads into the audio sockets.

2 Via RCA lead (optional)

Make sure the TV and video recorder are both switched off.

Plug one end of the RCA lead into the video and audio out sockets on the back of the video recorder and plug the other end into the video and audio in sockets of the TV.

If the sound is in mono use the Audio Input L. In the SOUND menu select MONO.



Connecting a DVD player

1 Via SCART
Make sure the TV and DVD player are both switched off.

Plug one end of the SCART lead (not supplied) into the back of the DVD player and the other end into one of the SCART sockets on the back of the TV.

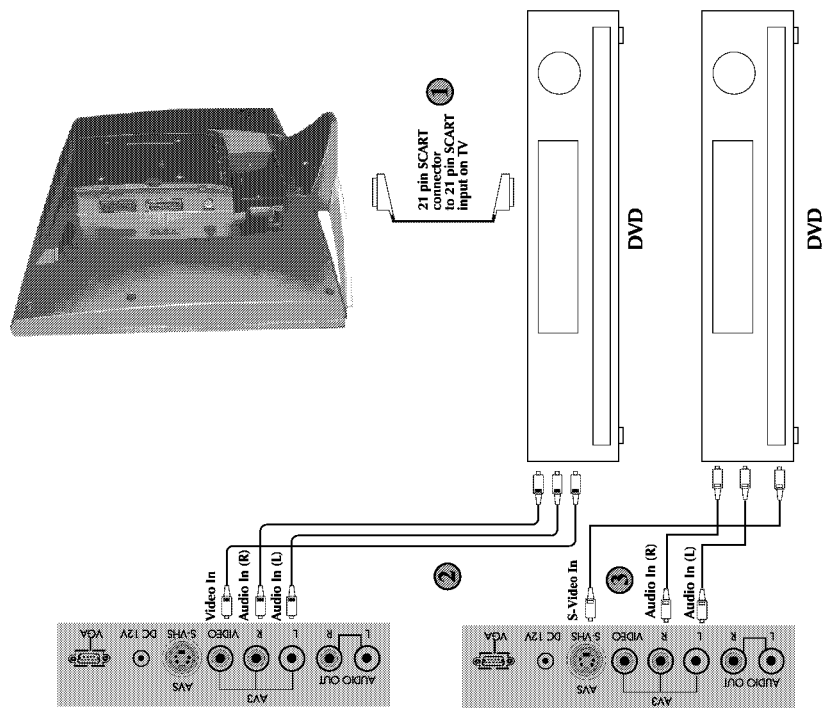
Switch on the DVD and the TV.

2 Via RCA lead
Make sure the TV and DVD player are both switched off.

Plug one end of the RCA lead into the video and audio out sockets on the back of the DVD player and plug the other end into the video and audio in sockets of the TV.

3 Via RCA lead and S-Video socket
You can also connect it through the S-Video socket of the TV.

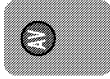
Plug the S-Video plug into the S-Video socket and the audio leads into the audio sockets.



Connecting a decoder

Via SCART
Make sure the TV and decoder are both switched off.
Plug one end of the SCART lead (not supplied) into the back of the decoder and the other end into the SCART 1 on the back of the TV.

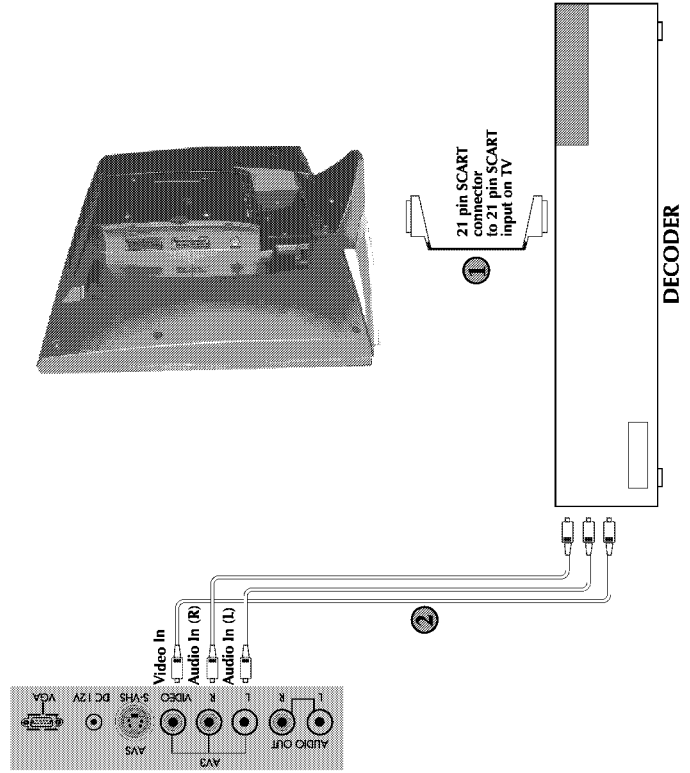
Switch on the decoder and the TV.



Press the **AV** button on the remote control to select AV1.

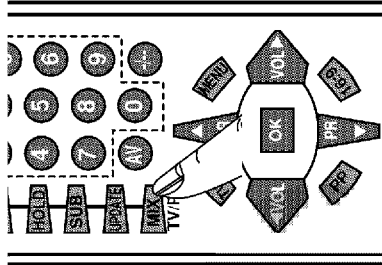
2 Via RCA lead
Make sure the TV and decoder are both switched off.

Note: For Decoder connection Via RCA lead your Decoder device should have the tuner built in.



INTRODUCTION

Because your 17" LCD-TV equipment is provided with VGA inputs, it may be used as a PC monitor as well. (Plug&Play)

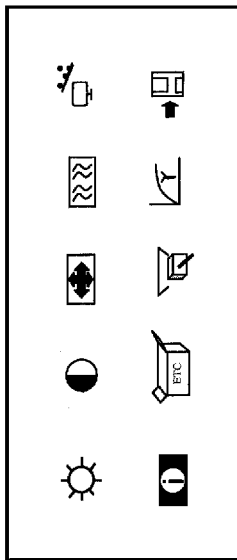


Entering the PC Mode

To enter the LCD-TV in to the monitor (PC) mode, the "MIX(TV/PC)" button on your remote control is used. Each time the "MIX(TV/PC)" button is pressed, operation changes from PC / TV mode. To return to the TV mode from the PC mode, press the "MIX" button again. In addition, you may return to the TV mode by selecting the "TV SELECTION" option from the monitor menu alternatively.

Note 1: When the system is in the monitor mode, the sound from the TV channel selected may be heard from the speakers. When you enter this mode, the sound control buttons on the remote control ("VOL▲"/"VOL▲" MUTE) become functional.

Note 2: When the system is in the monitor mode, the STANDBY button is operational. Upon exit from STANDBY, the system starts up in the TV mode again.



PC Mode Menu Structure

After changing to the PC mode, you may access the monitor menus by pressing the "MENU" button on the front panel of the system

To browse in the menus, you may use the "PR▲"/"PR▼" buttons and Vol+ or Vol- buttons to select the type of adjustment you wish to make. Once you make your selection, you may set the desired adjustment value using the "PR▲"/"PR▼" buttons.

BRIGHTNESS

After entering the Brightness Menu using the "VOL▼"/"VOL▲" buttons, you may set the brightness value of the monitor to the desired level by using the "PR▲"/"PR▼" buttons.

CONTRAST

After entering the Contrast Menu using the "VOL▼"/"VOL▲" buttons, you may set the contrast value of the monitor to the desired level by using the "PR▲"/"PR▼" buttons.

POSITION

After entering the Position Menu using the "VOL▼"/"VOL▲" buttons, you may set the geometrical adjustment value of the monitor to the desired level by using the "PR▲"/"PR▼" buttons.

H-POSITION : Horizontal position adjustment

V-POSITION : Vertical position adjustment

IMAGE

After entering the Image Menu using the "VOL▼"/"VOL▲" buttons, you may set the phase adjustment value of the monitor to the desired level by using the "PR▲"/"PR▼" buttons

PHASE : ADC sampling phase adjustment

CLOCK : ADC clock count Per line

AUTO CONFIG : Allows the entry of optimum geometrical adjustments based on the input mode

INFORMATION : Displays the input mode information on the screen.

MISCELLANEOUS

You may enter the factory default settings, Menu position and duration on the screen, resolution settings etc. by selecting the MISCELLANEOUS option.

FACTORY RESET : Loads the factory default settings

OSD TIMEOUT : The on-screen timeout may be adjusted to a value between 5 - 60 seconds.

OSD POSITION : Used for adjusting the OSD Horizontal and Vertical position

NATIVE MODE : Displays the input cursor in its actual resolution

TV SELECTION : To change from Monitor mode to TV mode

GAMMA-MOIRE : Used for rectifying the errors that may occur when changing from a lower resolution to the SXGA mode

SAVE : Stores the settings entered.

NOTE: The user can store the geometrical adjustments (H-Position, V-Position) entered for 6 different input graphic modes. When the Autoconfig is performed, the settings provided for that mode are stored, therefore, activating the Autoconfig function each time the mode is changed, is not necessary. When the user stores the settings for a 7th mode, the first mode stored will be erased

Warning Messages

1. No SYNC: The VGA input code (resolution) is missing. The "NO SYNC" message appears on the display. The message stays on the screen for 30 seconds and if no other VGA input signal that is supported by the system is not provided within that period, the system will go to "POWER SAVING" mode in order to protect the LCD panel. In this mode, the display will turn off, but the sound from the selected tuner channel will be audible

2. Input Not Supported: The input code (resolution) is not a supported graphics mode. The message "INPUT NOT SUPPORTED" appears on the display. The message stays on the screen until a supported graphic input code is received.

Input Graphic Modes Supported (progressive non-interlaced)

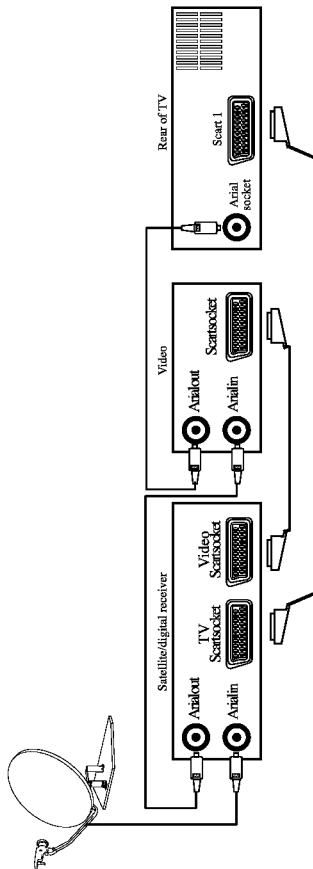
640 x 400 x 56 Hz	720 x 400 x 85 Hz	1024 x 768 x 85 Hz
640 x 480 x 60 Hz	800 x 600 x 56 Hz	1152 x 864 x 70 Hz
640 x 480 x 69 Hz	800 x 600 x 60 Hz	1152 x 864 x 75 Hz
640 x 480 x 72 Hz	800 x 600 x 72 Hz	1152 x 870 x 75 Hz
640 x 480 x 75 Hz	800 x 600 x 75 Hz	1280 x 720 x 60 Hz
640 x 350 x 70 Hz	800 x 600 x 85 Hz	1280 x 960 x 60 Hz
640 x 480 x 66 Hz (MAC)	832 x 624 x 75 Hz	1280 x 960 x 85 Hz
640 x 480 x 85 Hz	1024 x 768 x 60 Hz	1280 x 1024 x 60 Hz
720 x 400 x 70 Hz	1024 x 768 x 70 Hz	1280 x 1024 x 75 Hz
	1024 x 768 x 75 Hz	1280 x 1024 x 85 Hz

Important Warning:

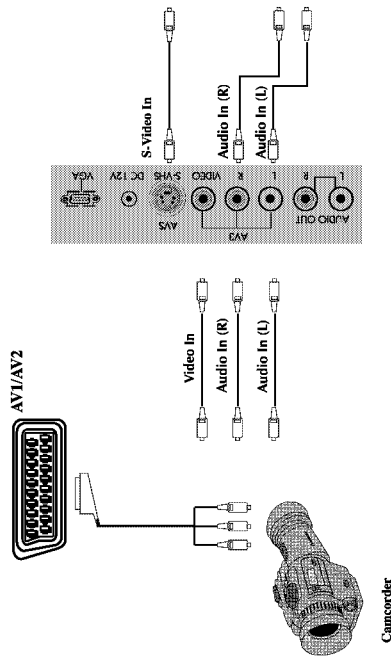
1. When the system changes from TV mode to VGA mode for the first time, the sound from the speakers is muted, but available through the ear-phones
2. When a particular VGA mode is displayed for the first time, selecting the "Autoconfiguration" option may be necessary. The position adjustment as well as the H-Position and V-Position fine adjustments must be entered and the values "saved (stored)"
3. When the signal is cut off, depending on the VGA power-saving standard, the message "NO SIGNAL" is displayed on the screen for 30 seconds. At the end of this period, the system turns off, providing an energy saving of 30 watts.

Help and service tips

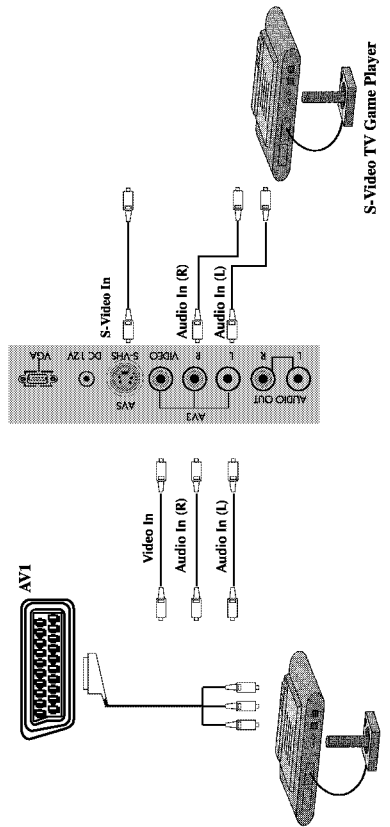
Connecting TV with video and satellite/digital receiver



Connecting TV with camcorder



Connecting TV games and computer



The TV does not work

Make sure it is plugged into the mains supply and switched on.

Poor picture

- Is the aerial plugged in?
- If you are using a set top aerial is it properly aligned for the best signal.
- Make sure the aerial is not too close to neon lights, loudspeakers etc.
- Try changing the direction of the outdoor aerial. High buildings and mountains can cause ghost pictures or double images.
- The picture quality may be reduced by connecting two external sources at once. Disconnect one of the sources.
- Adjust the fine tuning.

No picture

- Is the aerial plugged in properly?
- Is the aerial lead damaged?
- Are all the plugs in the aerial lead fitted correctly?
- Have you pressed the correct buttons on the remote control?

No sound

- Is the sound muted? Press the Mute button.
- Is the volume turned down?
- Are there headphones connected?

Sound coming from only one speaker

- Is the balance set to one side? See the sound menu.
- If you have external speakers, has one of them become disconnected.

No response to the remote control

- Try changing the batteries.
- Is there an obstruction between the remote control and the sensor on the TV.

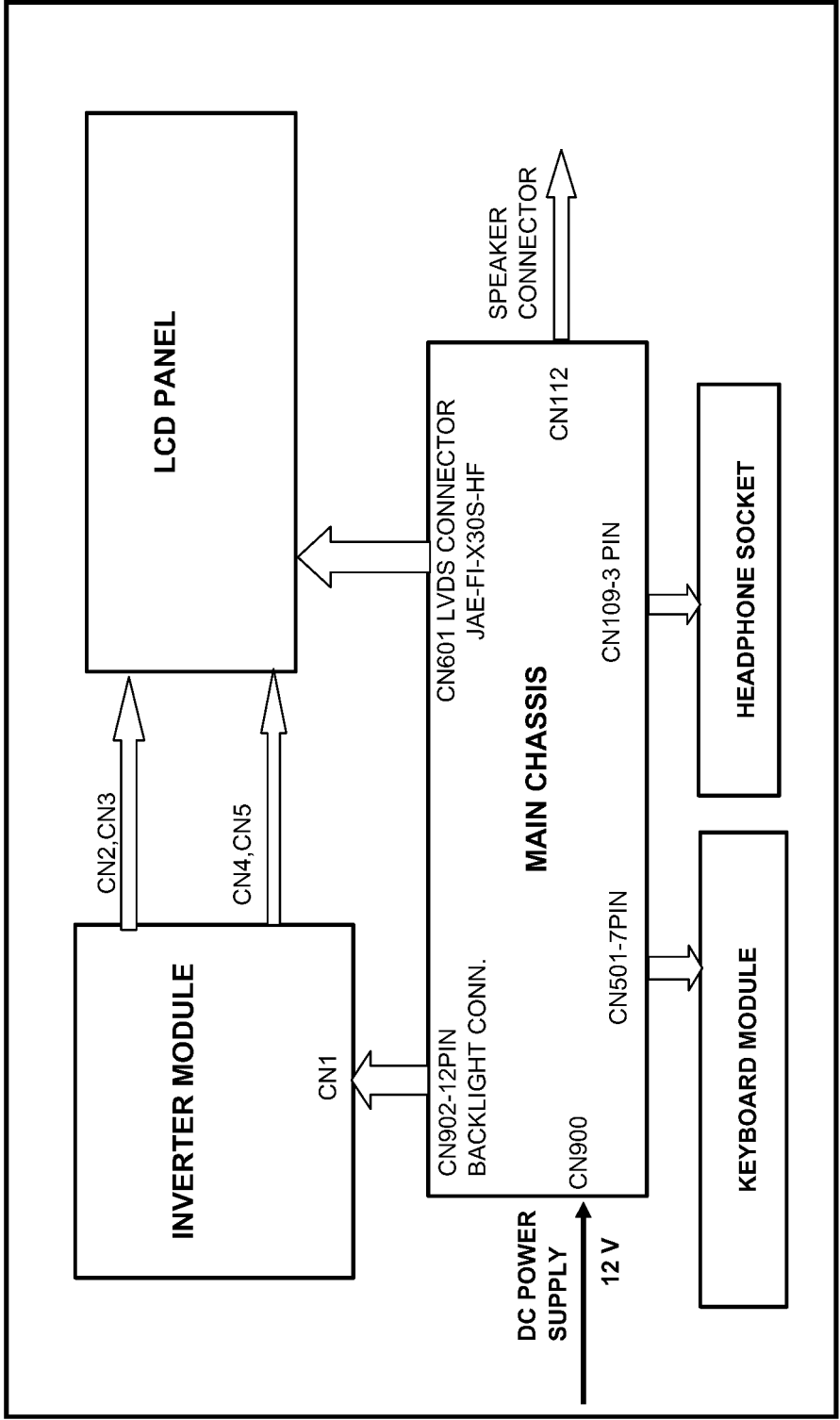
If nothing works

If you have tried the above solutions and none seem to work, try switching the unit off and on again.

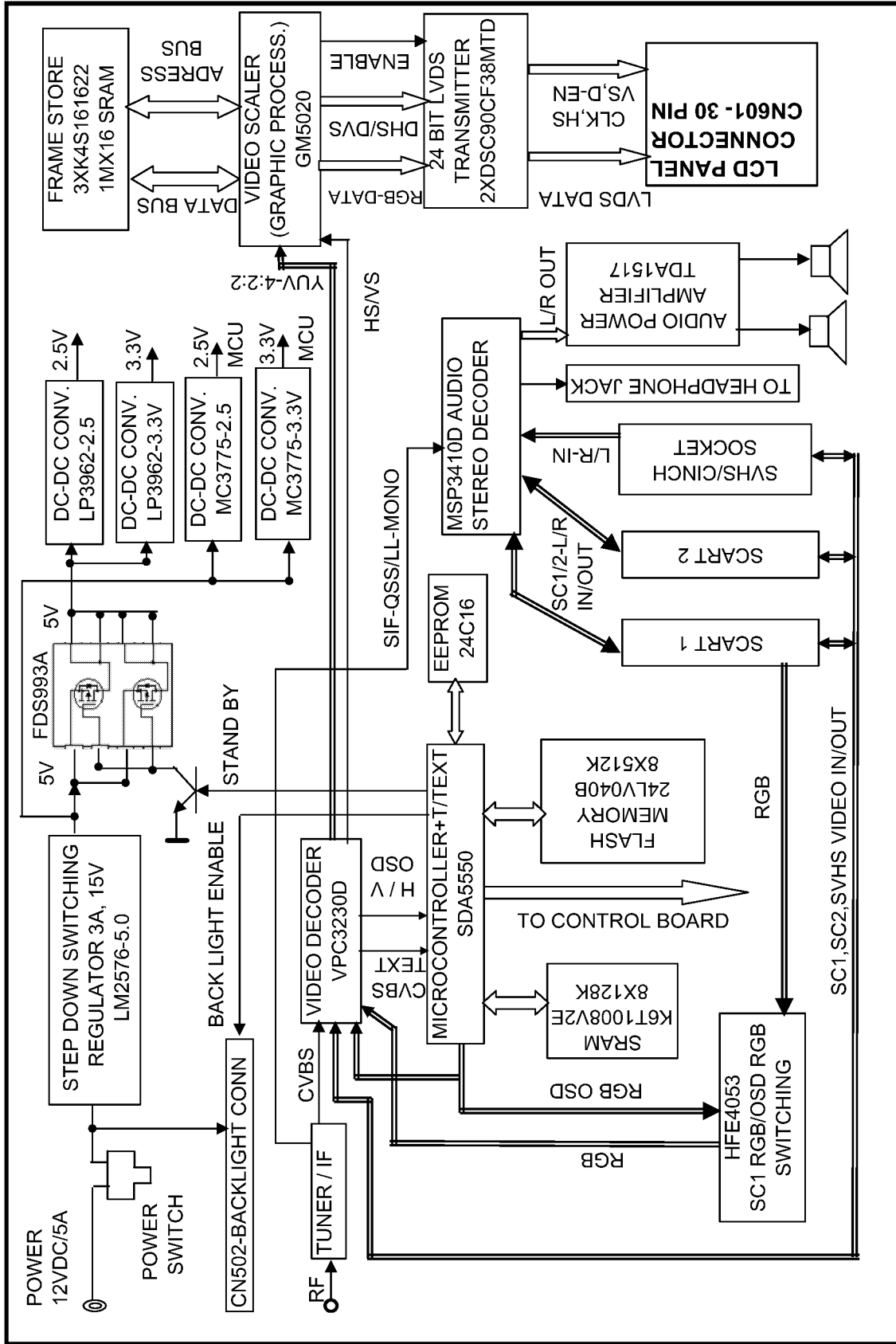
If this does not work contact your supplier or TV repair technician. Never attempt to repair a defective TV yourself.

Symptoms	Check if on/off switch is "on"	Try a different channel, if OK, probably station trouble	Check aerial connections on back of set	Re orientate aerial	Probably local interference, such as an appliance	Adjust fine tuning control	Adjust contrast control	Adjust brightness control	Check if station is broadcasting colour	Adjust colour control	Check batteries in the remote control handset	Switch the TV set OFF and ON from mains
No picture, no sound	✓	✓	✓	✓	✓	✓	✓	✓	✓	✓	✓	✓
Poor sound, picture OK	✓	✓	✓	✓	✓	✓	✓	✓	✓	✓	✓	✓
Poor Picture, sound OK	✓	✓	✓	✓	✓	✓	✓	✓	✓	✓	✓	✓
Weak picture	✓	✓	✓	✓	✓	✓	✓	✓	✓	✓	✓	✓
Blurred picture	✓	✓	✓	✓	✓	✓	✓	✓	✓	✓	✓	✓
Double Image	✓	✓	✓	✓	✓	✓	✓	✓	✓	✓	✓	✓
Lines in picture	✓	✓	✓	✓	✓	✓	✓	✓	✓	✓	✓	✓
Distorted picture	✓	✓	✓	✓	✓	✓	✓	✓	✓	✓	✓	✓
Weak reception on some channels	✓	✓	✓	✓	✓	✓	✓	✓	✓	✓	✓	✓
Horizontal bars	✓	✓	✓	✓	✓	✓	✓	✓	✓	✓	✓	✓
Picture rolls vertically	✓	✓	✓	✓	✓	✓	✓	✓	✓	✓	✓	✓
Poor colour	✓	✓	✓	✓	✓	✓	✓	✓	✓	✓	✓	✓
No colour	✓	✓	✓	✓	✓	✓	✓	✓	✓	✓	✓	✓
Remote control not working	✓	✓	✓	✓	✓	✓	✓	✓	✓	✓	✓	✓
TV does not accept any command	✓	✓	✓	✓	✓	✓	✓	✓	✓	✓	✓	✓
Teletext rolling up/down	✓	✓	✓	✓	✓	✓	✓	✓	✓	✓	✓	✓

INTERCONNECTION GUIDE



BLOCK DIAGRAM



SDA5550 MICROCONTROLLER

Features

General

- Feature selection via special function register
- Simultaneous reception of TTX, VPS, PDC, and WSS (line 23)
- Supply Voltage 2.5 and 3.3 V
- ROM version package P-SDIP 52, P-MQFP64
- Romless version package P-MQFP100,P-LCC84

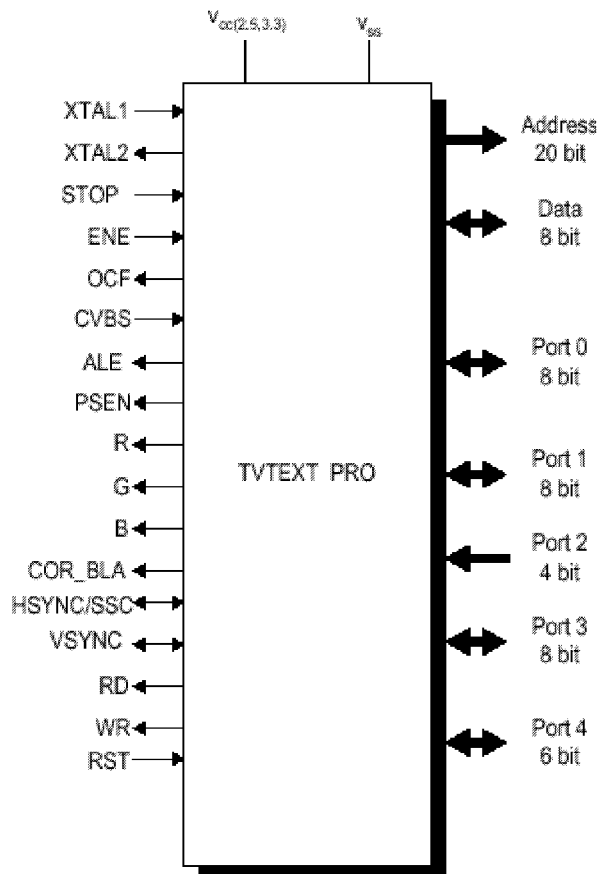
External Crystal and Programmable clock speed

- Single external 6MHz crystal, all necessary clocks are generated internally
- CPU clock speed selectable via special function registers.
- Normal Mode 33.33 Mhz CPU clock, Power Save mode 8.33 Mhz

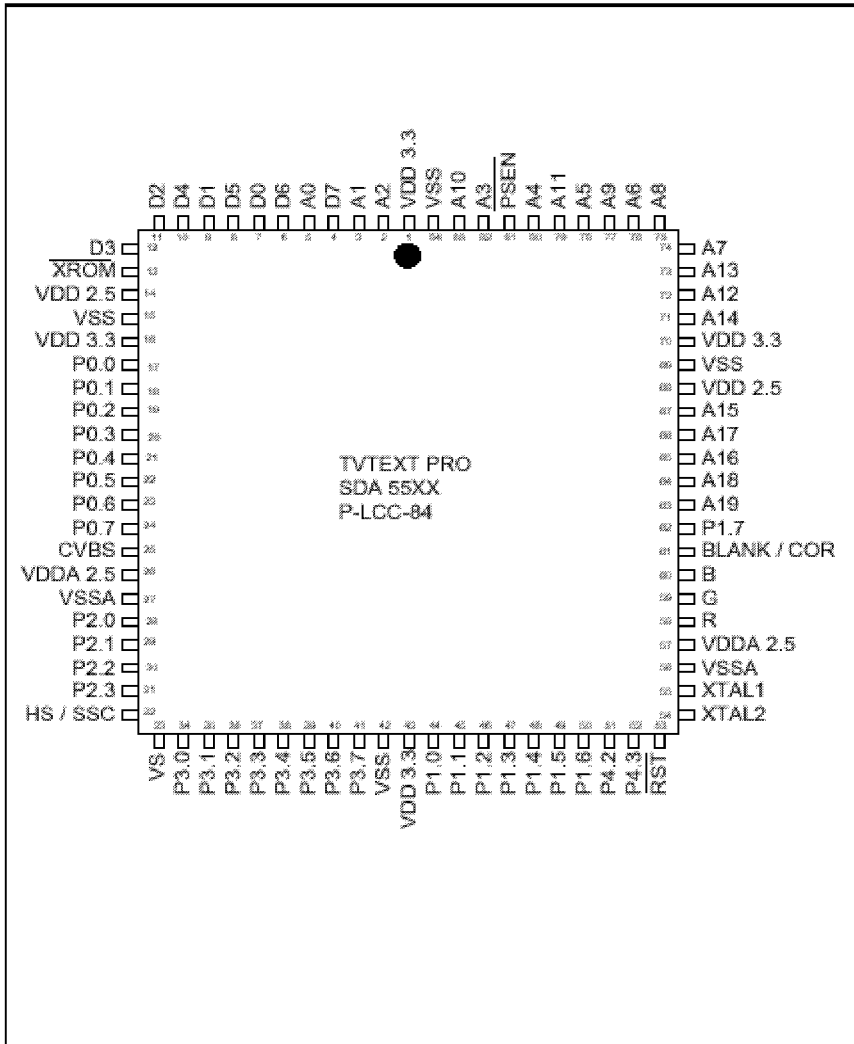
Microcontroller Features

- 8bit 8051 instruction set compatible CPU.
- 33.33-MHz internal clock (max.)
- 0.360 μ s (min.) instruction cycle
- Two 16-bit timers
- Watchdog timer
- Capture compare timer for infrared remote control decoding
- Pulse width modulation unit (2 channels 14 bit, 6 channels 8 bit)
- ADC (4 channels, 8 bit)
- UART

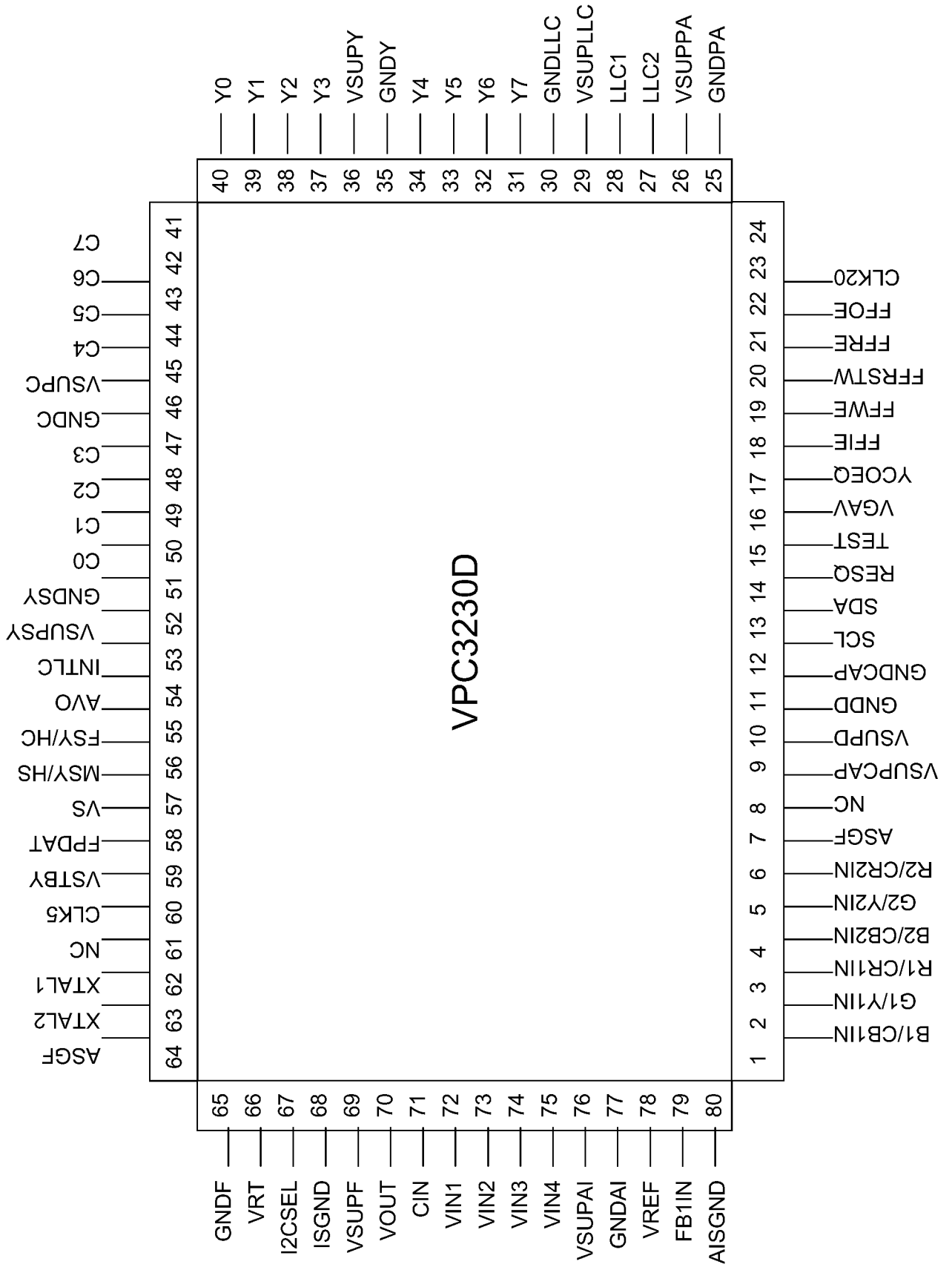
BLOCK DIAGRAM



Pin Configuration P-LCC-84 (ROMless Version)
(top view)



Video Processing - VPC3230D



1. Features

Video Decoding

- 4 Composite inputs, 1 S-VHS input
- Composite video & sync output
- Integrated high-quality A/D converters
- Adaptive 2H comb filter Y/C separator
- 1H NTSC comb filter
- Multi-standard color decoder(1 Crystal)
- Multi-standard sync decoder
- Black line detector

Video Decoding

- Horizontal scaling(0.25 to 4)
- Panorama vision
- Black level expander
- Dynamic peaking
- Soft limiter(gamma correction)
- Color transient improvement

RGB Processing

- Programmable RGB matrix
- Digital color bus interface
- Additional analog RGB/Fast blank input
- Half contrast switch
- Picture frame generator

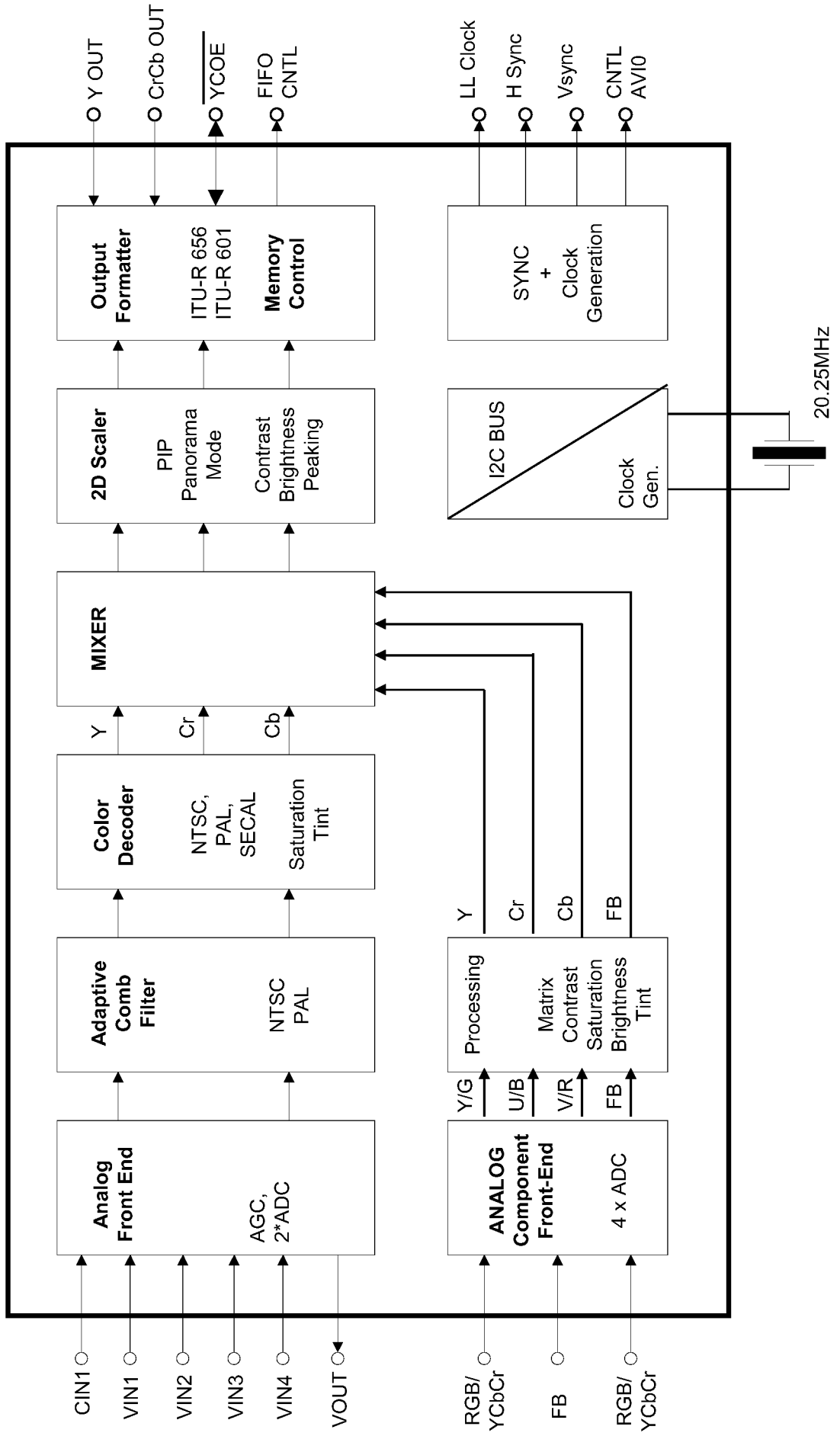
Deflection

- Scan velocity modulation output
- High performance H/V deflection
- Separate ADC for tube measurements
- EHT compensation

Miscellaneous

- One 20.25MHz crystal, few external components
- Embedded RISC controller(80 MIPS)
- I²C Bus interface
- Single 5V power supply
- Submicrom COMS technology
- 64 pin PSDIP package

Block Diagram



Video Processing - VPC3230D

Pin No.	Pin Name	Type	Short Description
1	B1/CB1IN	IN	Blue1/Cb1 Analog Component Input
2	G1/Y1IN	IN	Green1/Y1 Analog Component Input
3	R1/CR1IN	IN	Red1/Cr1 Analog Component Input
4	B2/CB2IN	IN	Blue2/Cb2 Analog Component Input
5	G2/Y2IN	IN	Green2/Y2 Analog Component Input
6	R2/CR2IN	IN	Red2/Cr2 Analog Component Input
7	ASGF		Analog Shield GND F
8	NC	-	No connected
9	V SUPCAFSUPPLYD		Supply Voltage, Digital Decoupling Circuitry
10	V SUPD	SUPPLYD	Supply Voltage, Digital Circuitry
11	GND D	SUPPLYD	Ground, Digital Circuitry
12	GND CAPSUPPLYD		Ground, Digital Decoupling Circuitry
13	SCL	IN/OUT	I 2 C Bus Clock
14	SDA	IN/OUT	I 2 C Bus Data
15	RESQ	IN	Reset Input, Active Low
16	TEST	IN	Test Pin, connect to GND D
17	VGAV	IN	VGAV Input
18	YCOEQ	IN	Y/C Output Enable Input, Active Low
19	FFIE	OUT	FIFO Input Enable
20	FFWE	OUT	FIFO Write Enable
21	FFRSTW	OUT	FIFO Reset Write/Read
22	FFRE	OUT	FIFO Read Enable
23	FFOE	OUT	FIFO Output Enable
24	CLK20	IN/OUT	Main Clock Output 20.25 MHz

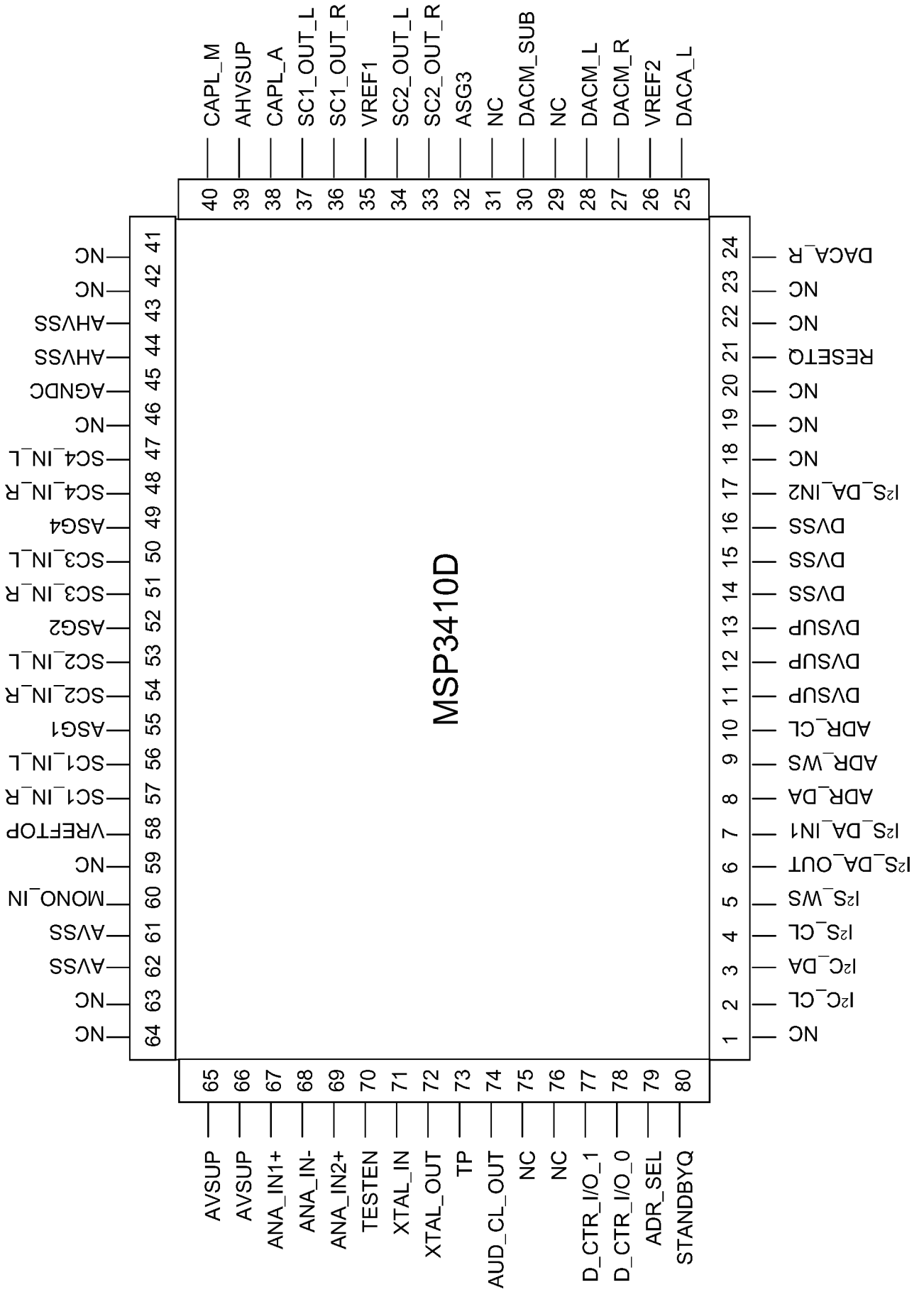
Pin No.	Pin Name	Type	Short Description
25	GND PA	SUPPLYD	Ground, Pad Decoupling Circuitry
26	V SUPPA	SUPPLYD	Supply Voltage, Pad Decoupling Circuitry
27	LLC2	OUT	Double Clock Output
28	LLC1	IN/OUT	Clock Output
29	V SUPLLCSUPPLYD		Supply Voltage, LLC Circuitry
30	GND LLC	SUPPLYD	Ground, LLC Circuitry
31	Y7	OUT	Picture Bus Luma (MSB)
32	Y6	OUT	Picture Bus Luma
33	Y5	OUT	Picture Bus Luma
34	Y4	OUT	Picture Bus Luma
35	GND Y	SUPPLYD	Ground, Luma Output Circuitry
36	V SUPY	SUPPLYD	Supply Voltage, Luma Output Circuitry
37	Y3	OUT	Y Picture Bus Luma
38	Y2	OUT	Y Picture Bus Luma
39	Y1	OUT	Y Picture Bus Luma
40	Y0	OUT	Y Picture Bus Luma(LSB)
41	C7	OUT	Picture Bus Chroma (MSB)
42	C6	OUT	Picture Bus Chroma
43	C5	OUT	Picture Bus Chroma
44	C4	OUT	Picture Bus Chroma
45	V SUPC	SUPPLYD	Supply Voltage, Chroma Output Circuitry
46	GND C	SUPPLYD	Ground, Chroma Output Circuitry
47	C3	OUT	Picture Bus Chroma
48	C2	OUT	Picture Bus Chroma

Video Processing - VPC3230D

Pin No.	Pin Name	Type	Short Description
49	C1	OUT	Picture Bus Chroma
50	C0	OUT	Picture Bus Chroma(LSB)
51	GND SY	SUPPLYD	Ground, Sync Pad Circuitry
52	V SUPSY	SUPPLYD	Supply Voltage, Sync Pad Circuitry
53	INTLC	OUT	Interlace Output
54	AVO	OUT	Active Video Output
55	FSY/HC	OUT	Front Sync/ Horizontal Clamp Pulse
56	MSY/HS	IN/OUT	Main Sync/Horizontal Sync Pulse
57	VS	OUT	Vertical Sync Pulse
58	FPDAT	IN/OUT	Front-End/ Back-End Data
59	V STBY	SUPPLYA	Standby Supply Voltage
60	CLK5	OUT	CCU 5 MHz Clock Output
61	NC	-	No connected
62	XTAL1	IN	Analog Crystal Input
63	XTAL2	OUT	Analog Crystal Output
64	ASGF		Analog Shield GND F
65	GND F	SUPPLYA	Ground, Analog Front-End
66	VRT	OUT	Reference Voltage Top, Analog
67	I2CSEL	IN	I 2 C Bus Address Select
68	ISGND	SUPPLYA	Signal Ground for Analog Input, connect to GND F
69	V SUPF	SUPPLYA	Supply Voltage, Analog Front-End
70	VOUT	OUT	Analog Video Output

Pin No.	Pin Name	Type	Short Description
71	CIN	IN	Chroma / Analog Video 5 Input
72	VIN1	IN	Video 1 Analog Input
73	VIN2	IN	Video 2 Analog Input
74	VIN3	IN	Video 3 Analog Input
75	VIN4	IN	Video 4 Analog Input
76	V SUPAI	SUPPLYA	Supply Voltage, Analog Component Inputs Front-End
77	GND AI	SUPPLYA	Ground, Analog Component Inputs Front-End
78	VREF	OUT	Reference Voltage Top, Analog Component Inputs Front-End
79	FB1IN	IN	Fast Blank Input
80	AISGND	SUPPLYA	Signal Ground for Analog Component Inputs, connect to GND AI

Audio Processing - MSP3440G



Audio Processing - MSP3410D

Pin No.	Pin Name	Type	Short Description
1	NC		Not connected
2	I2C_CL	IN/OUT	I2C clock
3	I2C_DA	IN/OUT	I2C data
4	I2S_CL	IN/OUT	I2S clock
5	I2S_WS	IN/OUT	I2S word strobe
6	I2S_DA_O	OUT	I2S data output
7	I2S_DA_IN	IN	I2S1 data input
8	ADR_DA	OUT	ADR data output
9	ADR_WS	OUT	ADR word strobe
10	ADR_CL	SUPPLYD	Supply Voltage, Digital Circuitry
11	DVSUP	SUPPLYD	Ground, Digital Circuitry
12	DVSUP	SUPPLYD	Ground
13	DVSUP	IN/OUT	I 2 C Bus Clock
14	DVSS	IN/OUT	I 2 C Bus Data
15	DVSS	IN	Reset Input, Active Low
16	DVSS	IN	Test Pin, connect to GND D
17	I2S_DA_IN	IN	VGAV Input
18	NC	IN	Y/C Output Enable Input, Active Low
19	NC	OUT	FIFO Input Enable
20	NC	OUT	FIFO Write Enable
21	RESET_Q	OUT	FIFO Reset Write/Read
22	NC	OUT	FIFO Read Enable
23	NC	OUT	FIFO Output Enable
24	DACA_R	IN/OUT	Main Clock Output 20.25 MHz
25	DACA_R	SUPPLYD	Ground

Pin No.	Pin Name	Type	Short Description
26	V SUPPA	SUPPLYD	Supply Voltage
27	LLC2	OUT	Double Clock Output
28	LLC1	IN/OUT	Clock Output
29	V SUPLLCS	SUPPLYD	Supply Voltage, LLC Circuitry
30	GND LLC	SUPPLYD	Ground, LLC Circuitry
31	Y7	OUT	Picture Bus Luma (MSB)
32	Y6	OUT	Picture Bus Luma
33	Y5	OUT	Picture Bus Luma
34	Y4	OUT	Picture Bus Luma
35	GND Y	SUPPLYD	Ground, Luma Output Circuitry
36	V SUPY	SUPPLYD	Supply Voltage, Luma Output Circuitry
37	Y3	OUT	Y Picture Bus Luma
38	Y2	OUT	Y Picture Bus Luma
39	Y1	OUT	Y Picture Bus Luma
40	Y0	OUT	Y Picture Bus Luma(LSB)
41	C7	OUT	Picture Bus Chroma (MSB)
42	C6	OUT	Picture Bus Chroma
43	C5	OUT	Picture Bus Chroma
44	C4	OUT	Picture Bus Chroma
45	V SUPC	SUPPLYD	Supply Voltage, Chroma Output Circuitry
46	GND C	SUPPLYD	Ground, Chroma Output Circuitry
47	C3	OUT	Picture Bus Chroma
48	C2	OUT	Picture Bus Chroma
49	C1	OUT	Picture Bus Chroma
50	C0	OUT	Picture Bus Chroma(LSB)

Audio Processing - MSP3440G

Pin No.	Pin Name	Type	Short Description
51	GND SY	SUPPLYD	Ground, Sync Pad Circuitry
52	V SUPSY	SUPPLYD	Supply Voltage, Sync Pad Circuitry
53	INTLC	OUT	Interface Output
54	AVO	OUT	Active Video Output
55	FSY/HC	OUT	Front Sync/ Horizontal Clamp Pulse
56	MSY/HS	IN/OUT	Main Sync/Horizontal Sync Pulse
57	SC1_in_R	IN	SCART 1input,right
58	VREFTOP		Reference voltage IF A/D converter
59	NC		Not connected
60	MONO_IN	IN	Mono input
61	AVSS		Analog ground
62	AVSS		Analog ground
63	NC		Not connected
64	NC		Not connected
65	AVSUP		Analog power supply 5V
66	AVSUP		Analog power supply 5V
67	ANA_IN+	IN	IF input 1
68	ANA_IN-	IN	IF common{can be left vacant,only if IF input1 is also not in use}
69	ANA_IN2+	IN	IF input{can be left vacant,only if IF input1 is also not in use}
70	TESTEN	IN	Test pin
71	XTAL_IN	IN	Crystal oscillator

Pin No.	Pin Name	Type	Short Description
72	XTAL_OUT	OUT	Crystal oscillator
73	TP		Test pin
74	AUD_CLK	OUT	Audio clock output(18.432MHz)
75	NC		Not connected
76	NC		Not connected
77	D_CTR_I/O_1	IN/OUT	D_CTR_I/O_1
78	D_CTR_I/O_0	IN/OUT	D_CTR_I/O_0
79	ADR_SEL	IN	I2C Bus address select
80	STANDBY	IN	Stand-by(low active)

LM2576

3.0 A, 15 V, Step-Down Switching Regulator

The LM2576 series of regulators are monolithic integrated circuits ideally suited for easy and convenient design of a step-down switching regulator (buck converter). All circuits of this series are capable of driving a 3.0 A load with excellent line and load regulation. These devices are available in fixed output voltages of 3.3 V, 5.0 V, 12 V, 15 V, and an adjustable output version.

These regulators were designed to minimize the number of external components to simplify the power supply design. Standard series of inductors optimized for use with the LM2576 are offered by several different inductor manufacturers.

Since the LM2576 converter is a switch-mode power supply, its efficiency is significantly higher in comparison with popular three-terminal linear regulators, especially with higher input voltages. In many cases, the power dissipated is so low that no heatsink is required or its size could be reduced dramatically.

A standard series of inductors optimized for use with the LM2576 are available from several different manufacturers. This feature greatly simplifies the design of switch-mode power supplies.

The LM2576 features include a guaranteed $\pm 4\%$ tolerance on output voltage within specified input voltages and output load conditions, and $\pm 10\%$ on the oscillator frequency ($\pm 2\%$ over 0°C to 125°C). External shutdown is included, featuring $80\ \mu\text{A}$ (typical) standby current. The output switch includes cycle-by-cycle current limiting, as well as thermal shutdown for full protection under fault conditions.

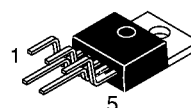
Features

- 3.3 V, 5.0 V, 12 V, 15 V, and Adjustable Output Versions
- Adjustable Version Output Voltage Range, 1.23 to 37 V $\pm 4\%$ Maximum Over Line and Load Conditions
- Guaranteed 3.0 A Output Current
- Wide Input Voltage Range
- Requires Only 4 External Components
- 52 kHz Fixed Frequency Internal Oscillator
- TTL Shutdown Capability, Low Power Standby Mode
- High Efficiency
- Uses Readily Available Standard Inductors
- Thermal Shutdown and Current Limit Protection
- Moisture Sensitivity Level (MSL) Equals 1



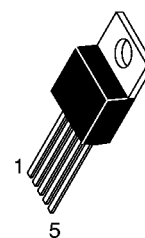
ON Semiconductor™

<http://onsemi.com>



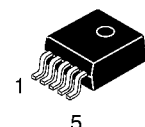
TO-220
TV SUFFIX
CASE 314B

Heatsink surface connected to Pin 3



TO-220
T SUFFIX
CASE 314D

Pin 1. V_{in}
2. Output
3. Ground
4. Feedback
5. $\overline{\text{ON/OFF}}$

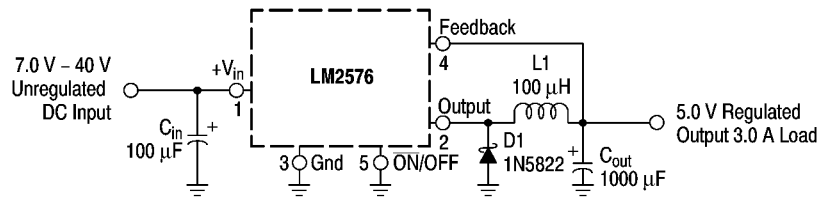


D²PAK
D2T SUFFIX
CASE 936A

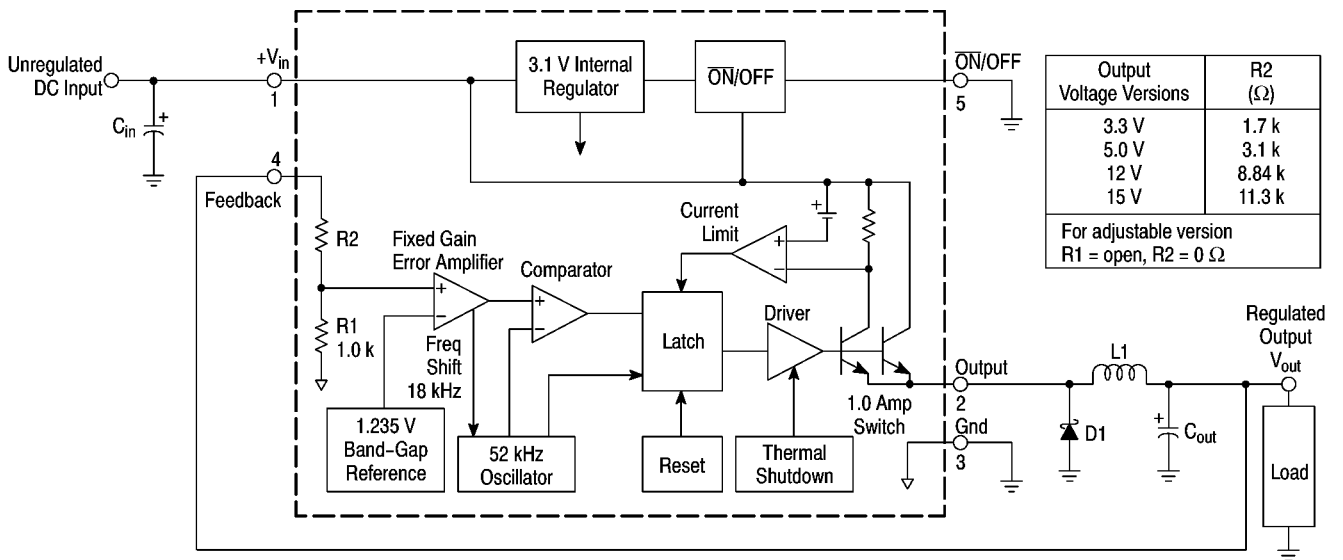
Heatsink surface (shown as terminal 6 in case outline drawing) is connected to Pin 3

LM2576

Typical Application (Fixed Output Voltage Versions)



Representative Block Diagram and Typical Application



FDS9933A

Dual P-Channel 2.5V Specified PowerTrench™ MOSFET

General Description

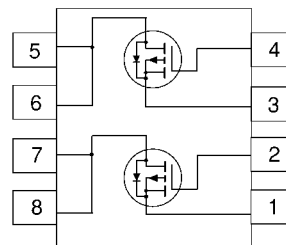
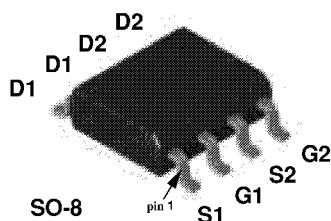
These P-Channel 2.5V specified MOSFETs are produced using Fairchild Semiconductor's advanced PowerTrench process that has been especially tailored to minimize the on-state resistance and yet maintain low gate charge for superior switching performance.

Applications

- Load switch
- DC/DC converter
- Motor drives

Features

- -3.8 A, -20 V. $R_{DS(on)} = 0.075 \Omega @ V_{GS} = -4.5 V$
 $R_{DS(on)} = 0.105 \Omega @ V_{GS} = -2.5 V$.
- Low gate charge (7nC typical).
- Fast switching speed.
- High performance trench technology for extremely low $R_{DS(on)}$.
- High power and current handling capability.



DS90C383A/DS90CF383A

+3.3V Programmable LVDS Transmitter 24-Bit Flat Panel Display (FPD) Link-65 MHz

+3.3V LVDS Transmitter 24-Bit Flat Panel Display (FPD) Link-65 MHz

1.0 General Description

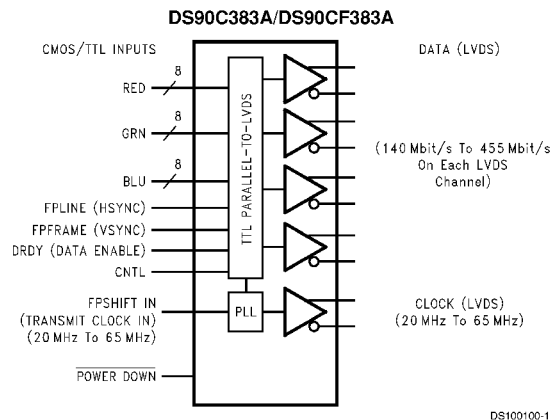
The DS90C383A/DS90CF383A transmitter converts 28 bits of CMOS/TTL data into four LVDS (Low Voltage Differential Signaling) data streams. A phase-locked transmit clock is transmitted in parallel with the data streams over a fifth LVDS link. Every cycle of the transmit clock 28 bits of input data are sampled and transmitted. At a transmit clock frequency of 65 MHz, 24 bits of RGB data and 3 bits of LCD timing and control data (FPLINE, FPFRAME, DRDY) are transmitted at a rate of 455 Mbps per LVDS data channel. Using a 65 MHz clock, the data throughput is 227 Mbytes/sec. The DS90C383A transmitter can be programmed for Rising edge strobe or Falling edge strobe through a dedicated pin. The DS90CF383A is fixed as a Falling edge strobe transmitter. A Rising edge or Falling edge strobe transmitter will interoperate with a Falling edge strobe Receiver (DS90CF384) without any translation logic.

This chipset is an ideal means to solve EMI and cable size problems associated with wide, high speed TTL interfaces.

2.0 Features

- 20 to 65 MHz shift clock support
- Rejects $> \pm 3\text{ns}$ Jitter from VGA chip with less than 225ps output Jitter @65MHz (TJCC)
- Best-in-Class Set & Hold Times on TxINPUTs
- Tx power consumption $< 130\text{ mW}$ (typ) @65MHz Grayscale
- $> 50\%$ Less Power Dissipation than BICMOS Alternatives
- Tx Power-down mode $< 200\mu\text{W}$ (max)
- ESD rating $> 7\text{ kV}$ (HBM), $> 500\text{V}$ (EIAJ)
- Supports VGA, SVGA, XGA and Dual Pixel SXGA.
- Narrow bus reduces cable size and cost
- Up to 1.8 Gbps throughput
- Up to 227 Megabytes/sec bandwidth
- 345 mV (typ) swing LVDS devices for low EMI
- PLL requires no external components
- Compatible with TIA/EIA-644 LVDS standard
- Low profile 56-lead TSSOP package
- Improved replacement for:
 - SN75LVDS83 — DS90C383A
 - SN75LVDS81 — DS90CF383A

3.0 Block Diagrams



Order Number DS90C383AMTD or DS90CF383AMTD
See NS Package Number MTD56

Specification Inverter GH017

2. SUITABLE LOAD

LCD-Module: Samsung 17"E4 4lamp TFT LCD

3. ELECTRICAL CHARACTERISTICS

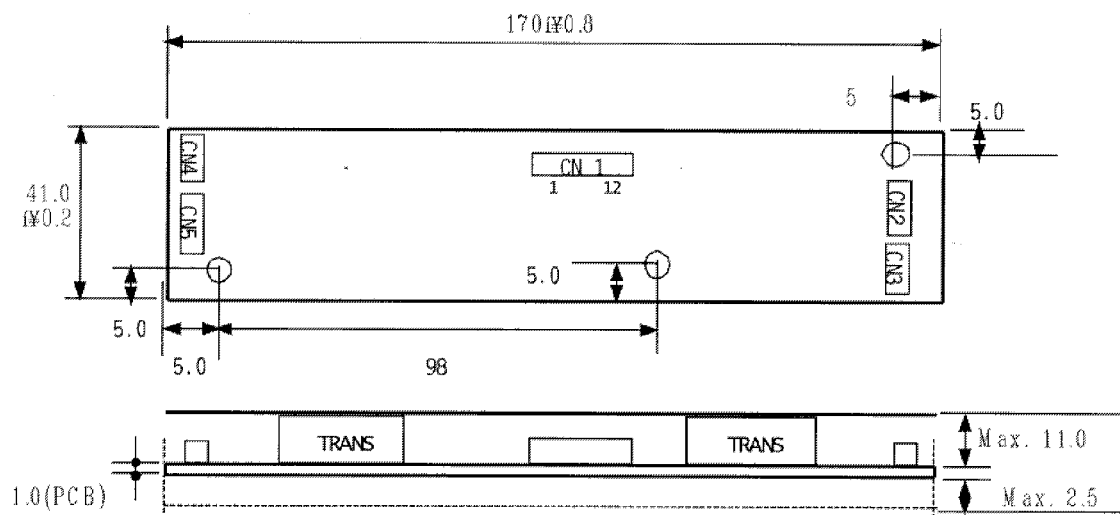
3.1 Absolute Maximum Ratings

Item	Symbol	Spec	Unit
Input voltage 1	Vin1	11.5 ~ 12.5	V
Input voltage 2	Vin2	4.9 ~ 5.1	V
Operating Temperature	Top	0 ~ 50	°C
Storage Temperature	Tstg	- 30 ~ 80	°C
Relative Humidity	RH	90	%

3.2 Control Signal

Pin No.	Symbol	Status	Action	Remarks
CN1 # 4	BKLT_ON	HIGH	LAMP (CCFL) - ON	2.4 ~ 5.25V
		LOW	LAMP (CCFL) - OFF	0.8V max.

5. APPEARANCE



4. INTERFACE

4.1 CN1 Connector: 53261 – 1290

Pin No.	Symbol	Remarks
2	BRT_ADJ	0 ~ 5V
1,3,5,6,8,9	GND	GND
4	BL ON / OFF	CCFL drive signal (active HIGH)
7	N.C	
10,11,12	DC-IN (V in)	DC INPUT power (12V)

4.2 CN2 Connector: SM02B – BHS – 1 – TB(JST)

Pin No.	Symbol	Remarks
1	HOT	HIGH
2	COLD	LOW

4.3 CN3 Connector: SM02B – BHS – 1 – TB(JST)

Pin No.	Symbol	Remarks
1	HOT	HIGH
4	COLD	LOW

4.4 CN4 Connector: SM02B – BHS – 1 – TB(JST)

Pin No.	Symbol	Remarks
1	HOT	HIGH
4	COLD	LOW

4.5 CN5 Connector: SM02B – BHS – 1 – TB(JST)

Pin No.	Symbol	Remarks
1	HOT	HIGH
4	COLD	LOW

SERVICE ADJUSTMENTS AND OPTIONS

Entering the service mode: In TV mode ,Press Menu key and enter “9301”.

Exiting from service mode: Press “TV/TX” key (SW version is prompted when exiting from service mode)

Navigation: P+/P- moves upward / downward inside the service menu.
V+/V- changes the values or options

Sevice menu sub pages: Press Red, Green or Blues key to access sub pages of service mode

Feature Options

TUNER	: TEMIC, P.SONIC, SHARP&ALPS, PHILIPS
TELETEXT	: DEFAULT -Teletext FASTEXT-Fasttext TOPTXT- Toptext TOP&FAST : Toptext and Fasttext
SWAP / ZAP:	SWAP- Swap is active ZAP: Zap is active
STAND BY:	YES- User mode NO: Factory mode
VIDEO	: OLD, NEW-No function
MONITOR	: Yes (Monitor connection is available) : No (Monitor connection is not supported)
LANGUAGE	: Used to select the menu language. GROUP 0 : (English, German, French, Itailan, Spanish, Turkish , Swiss , Norwegian, Danish, Finnish , Dutch, Polish, Greek, Bulgarian, Russian, Hebrew) GROUP 1: (English,German, French, Itailan, Spanish, Turkish ,Swiss, Hungary, Polish, Romanian, Croatian , Slovenian, Greek, Bulgarian, Russian, Arabian)

BG : Yes (AVAILABLE) or No (NOT AVAILABLE)
 DK : Yes (AVAILABLE) or No (NOT AVAILABLE)
 I : Yes (AVAILABLE) or No (NOT AVAILABLE)
 L/L' : Yes (AVAILABLE) or No (NOT AVAILABLE)
 NICAM : Yes (AVAILABLE) or No (NOT AVAILABLE)
 HEADPHONE : Yes (AVAILABLE) or No (NOT AVAILABLE)

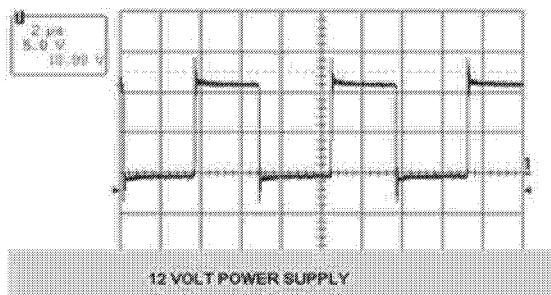
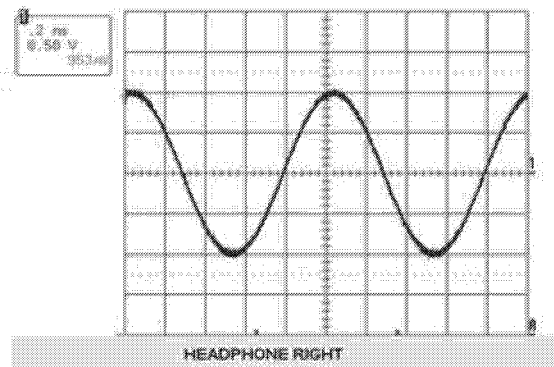
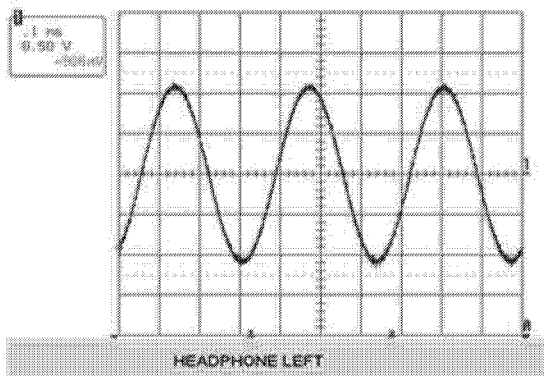
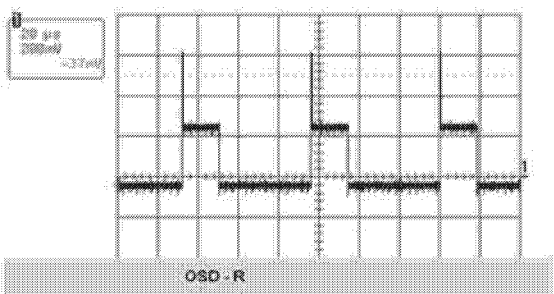
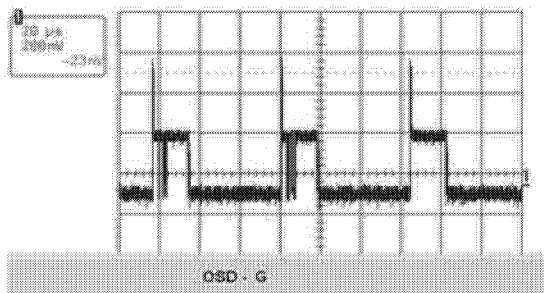
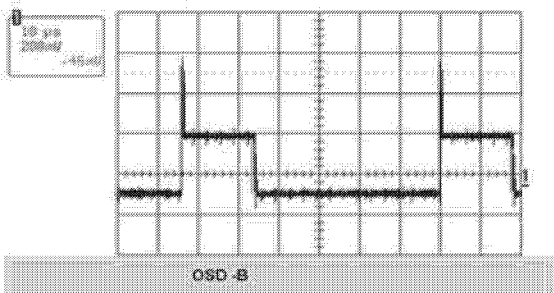
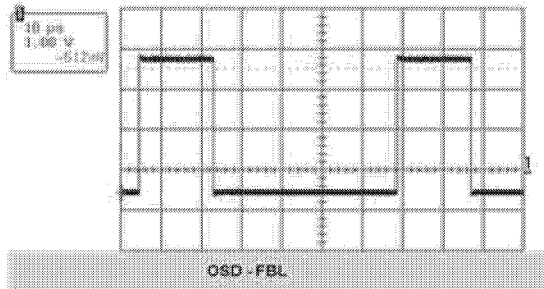
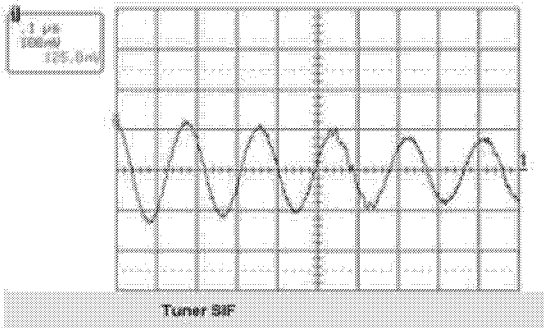
CARRIER MUTE : VIA MSP (Default)
 VIA MICRO

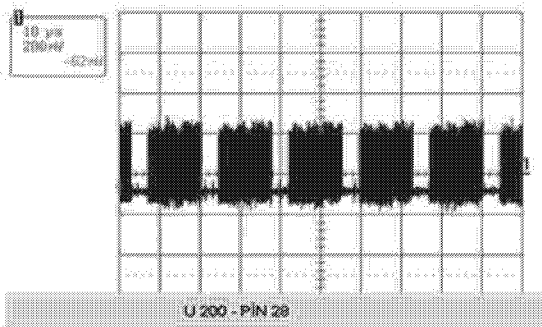
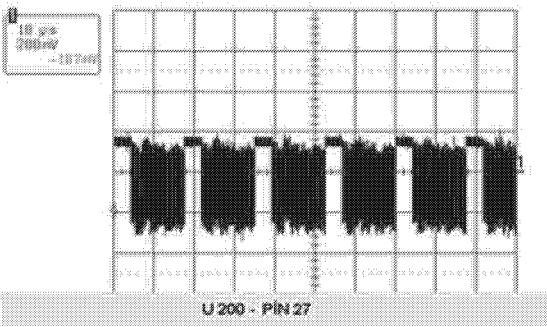
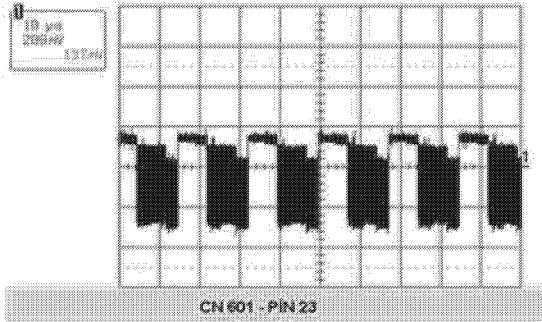
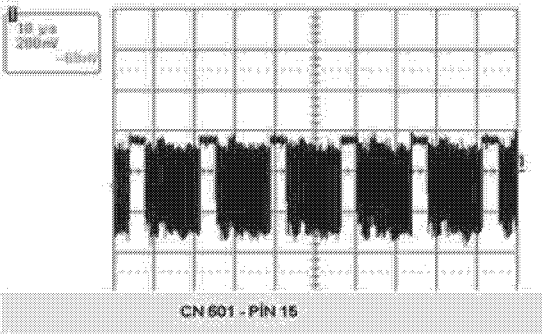
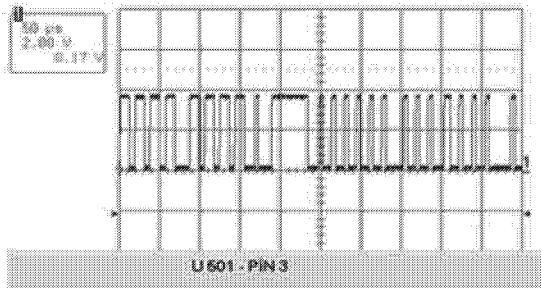
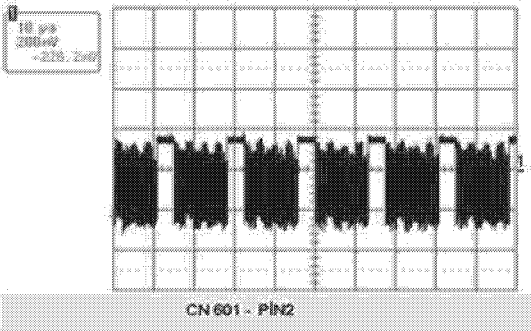
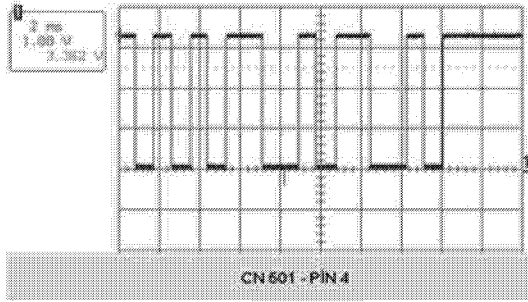
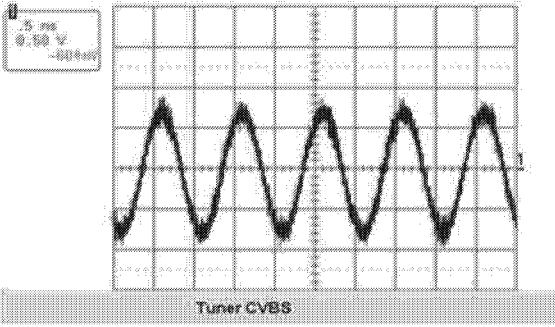
Factory Settings for Service Mode

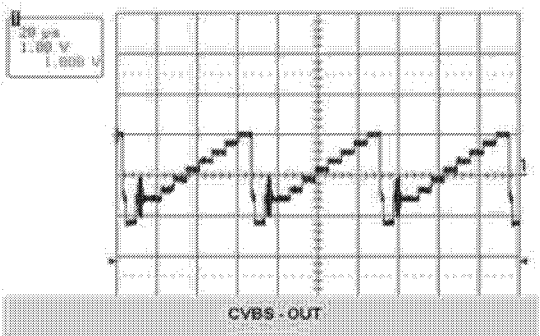
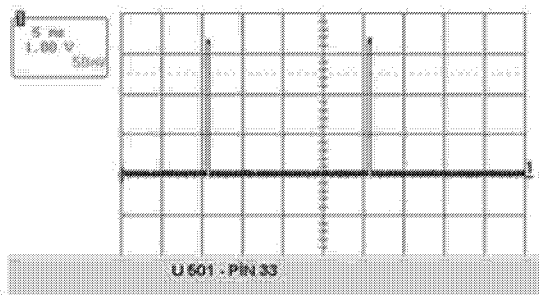
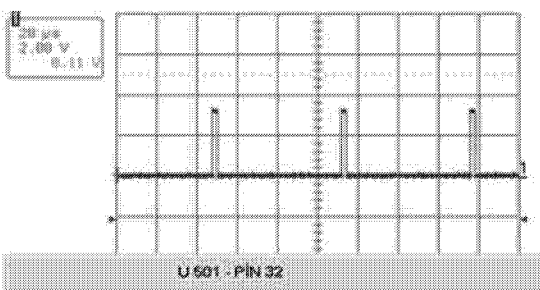
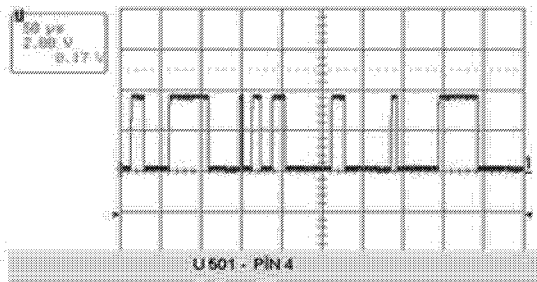
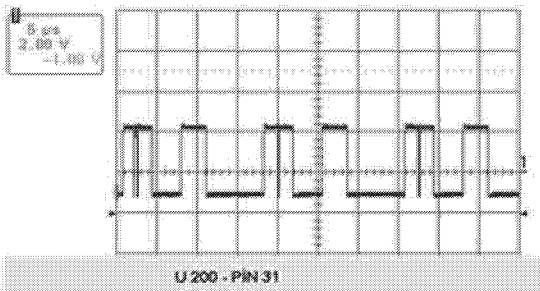
ITEM	FUNCTION	FACTORY VALUE
AGC	AUTOMATIC GAIN CONTROL	2
R-CUT	RED CUT OF ADJUSTMENT	2
G-CUT	GREEN CUT OF ADJUSTMENT	0
B-CUT	BLUE CUT OF ADJUSTMENT	0
R.DRV	RED DRIVE ADJUSTMENT	0
G.DRV	GREEN DRIVE ADJUSTMENT	0
B.DRV	BLUE DRIVE ADJUSTMENT	0
BACKLIGHT	BACK LIGHT ADJUSTMENT	0

WAVEFORMS

Note : TV is connected to a pattern generator with colour bar signal and L=3KHz, R=1KHz





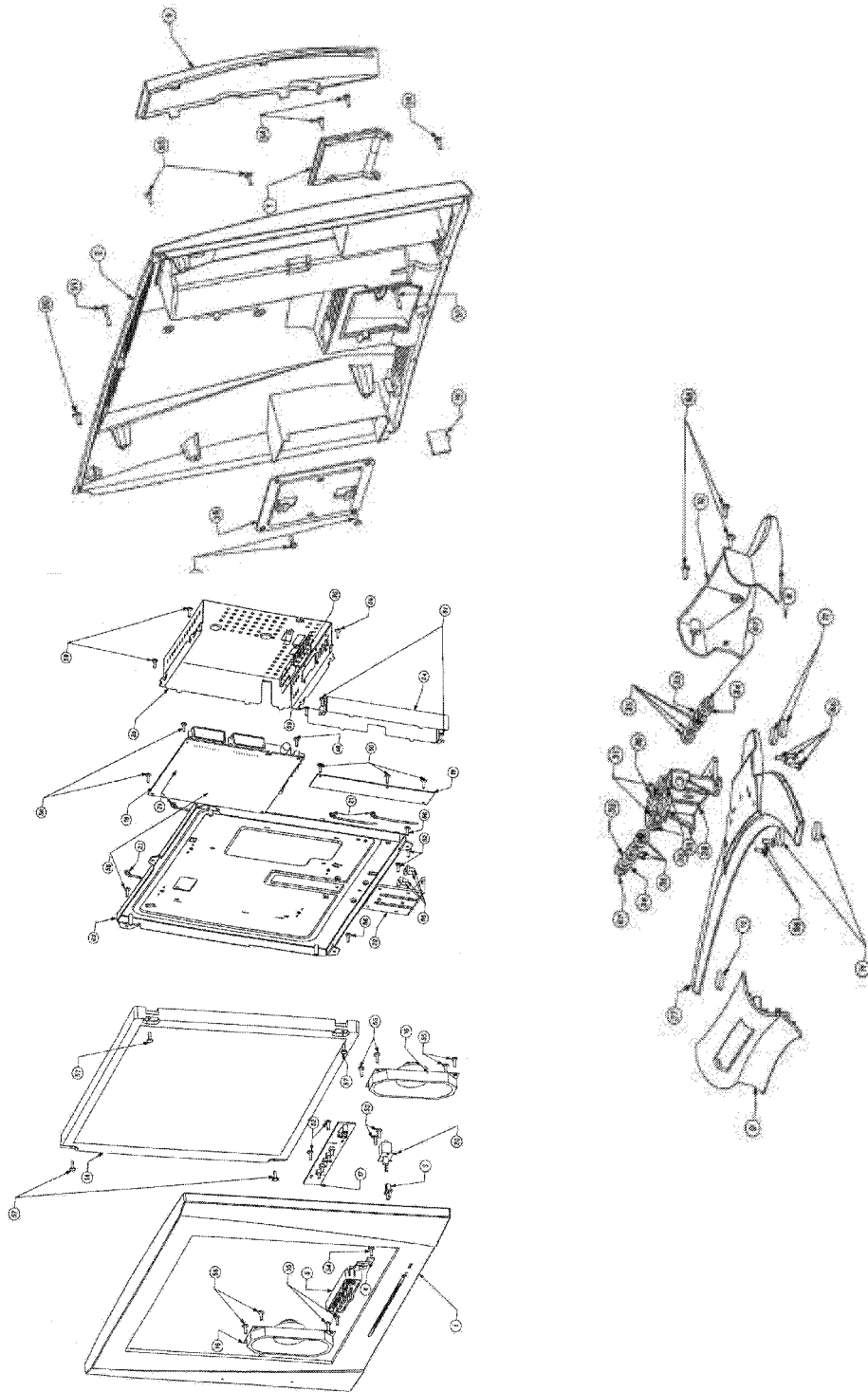


SPARE PART LIST

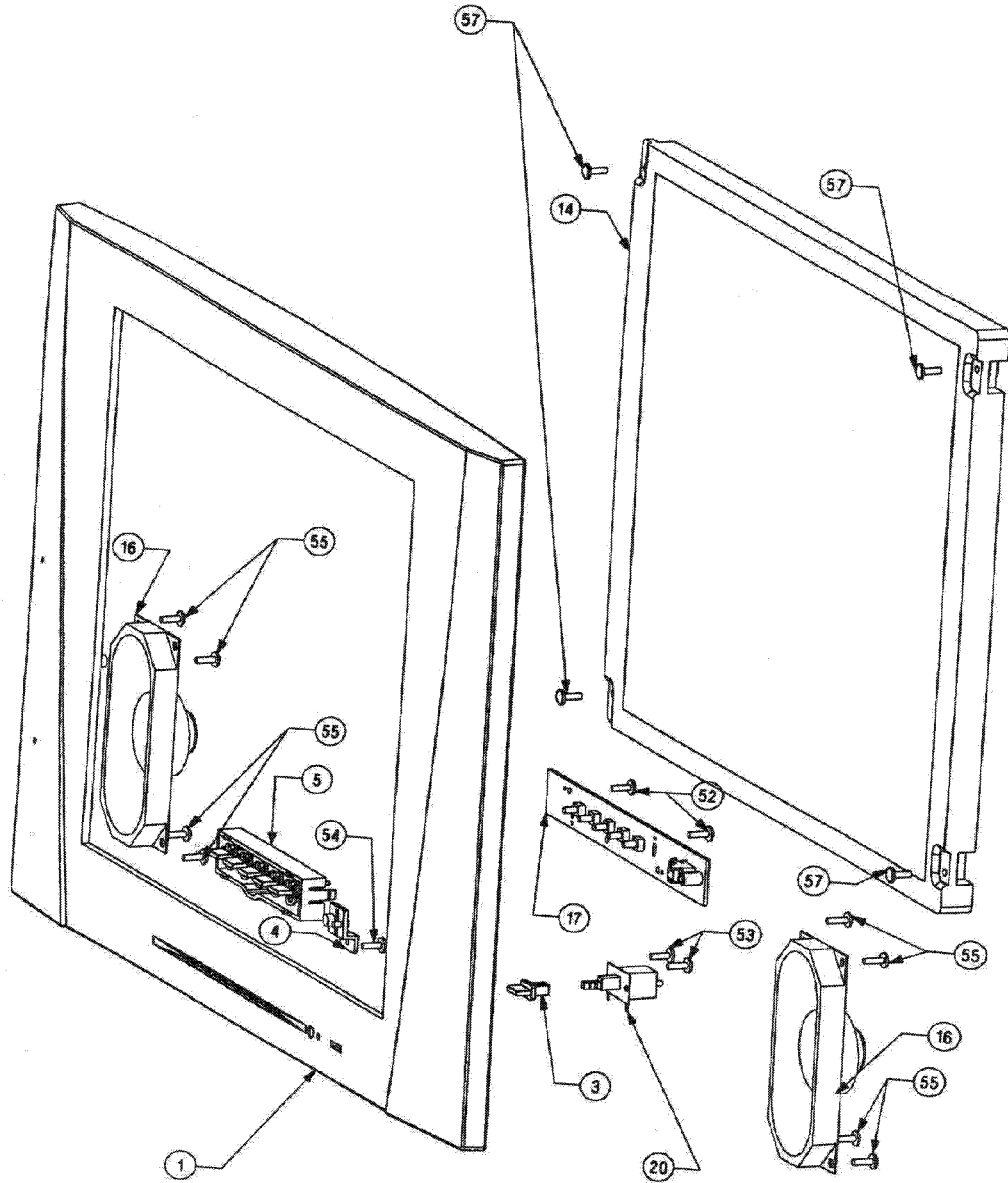
POSITION	PART NUMBER	PART DESCRIPTION
CN103	031163	KONN. CINCH WHITE HOR.14.1
CN102	031164	KONN. CINCH RED HOR.14.1
CN101	031165	KONN. CINCH YELLOW HOR.14.1
CN104	031251	SCART SOCKET 14.1
CN900	031274	JACK POWER HORIZONTAL
CN502	031277	KON.MALE 12 PIN MLX 53261-1290
CN601	031279	KON.MALE 30 PIN JAE FI-X30S-HF
CN100	031795	KONN.S-VHS
L905	053810	COIL 33UH PE-54040
F900	054290	FUSE 5.0A 250V ROUND
X400	056161	CRYSTAL 20.25MHZ
X600	056942	KRISTAL 24MHZ
X100	056952	CRYSTAL 18.432MHZ +-30PPM
X500	056953	CRYSTAL 6MHZ CL 20PF
R152	119478	RMF 0.47R J 1W
C902	232335	C-ELA 330UF 35V 16*10 R:5 LOW
D903	303180	DIODE 1N5820 SCHOTTKY
D500	303189	DIODE BAS40-05 SCHOTTKY
D501	303196	DIODE BAS40 SCHOTTKY
D900	303345	DIODE MRA4003T3
D901	303345	DIODE MRA4003T3
D902	303345	DIODE MRA4003T3
D1	303900	LED RED
D01	303991	LED IR SIR563SB3F 23/940
D02	303993	LED LTL4221N D:3 R/D RED
Q500	401371	TRN 2N7002
Q501	401371	TRN 2N7002
U701	401372	TRN FDS9933A
U906	401372	TRN FDS9933A
IR1	452521	IR RECEIVER TSOP 1838
U506	452662	IC-CHIP AT24C16N SC2.7
U102	452904	IC LM78L08ACZ
U400	452937	IC VPC3230D-C5 QFP80
U401	452985	IC-CHIP MC14053BD SOIC16
U505	453001	IC AM29LV040B-70EC
U600	453004	IC GM5020
U800	453005	IC K4S161622D-TC/L70
U801	453005	IC K4S161622D-TC/L70
U802	453005	IC K4S161622D-TC/L70
U502	453006	IC K6T1008V2E-TB70
U900	453007	IC LM2596S-5.0
U901	453008	IC LP3962ES-2.5

POSITION	PART NUMBER	PART DESCRIPTION
U902	453009	IC LP3962ES-3.3
U501	453013	IC SDA5550 PLCC-84 TRAY
U200	453018	IC DS90C383AMTD
U201	453018	IC DS90C383AMTD
U103	453021	IC TDA1517P
U503	453024	IC MC33375ST-2.5T3
U203	453025	IC MC33375ST-3.3T3
U504	453025	IC MC33375ST-3.3T3
U101	453026	IC MSP3410G PQFP80
U500	453028	IC DS1818R-10/T&R
MENU	010840-01	TACT SW LONG STEN 2LEG
P(-)	010840-01	TACT SW LONG STEN 2LEG
P(+)	010840-01	TACT SW LONG STEN 2LEG
V(-)	010840-01	TACT SW LONG STEN 2LEG
V(+)	010840-01	TACT SW LONG STEN 2LEG
	056L17-SS1	LCD PANEL SS LTM170EH-L05
	452662-02	IC-CHIP AT24C16AN 10SI2.7
	7XB301	TERMINAL BATT.BOX(+) R/C FLAT
	7XB302	TERMINAL BATT.BOX(-) R/C FLAT
	8R8138	TUNER FRONTEND PHILIPS FQ1216ME
	8R9107-AS	SPEAKER 4R 5W LCD TV
	8R9110	L2 CHASIS 17" P/SX/2/K/SV/NTSC
	8R9172	CU ASSY 17" LCD TV
	8R9183	INVERTOR CARD 17"B.LIGHT GH17
X941	8R9185	HP JACK 17"LCD TV
	8R9204	LENS IR/LED 17" LCD TV
CN601	8R9502-AS	CABLE PANEL INTERFACE LCD TV
CN502	8R9503-AS	CABLE PANEL INVERTOR LCD TV
	8R9953	POWER SWITCH LCD TV

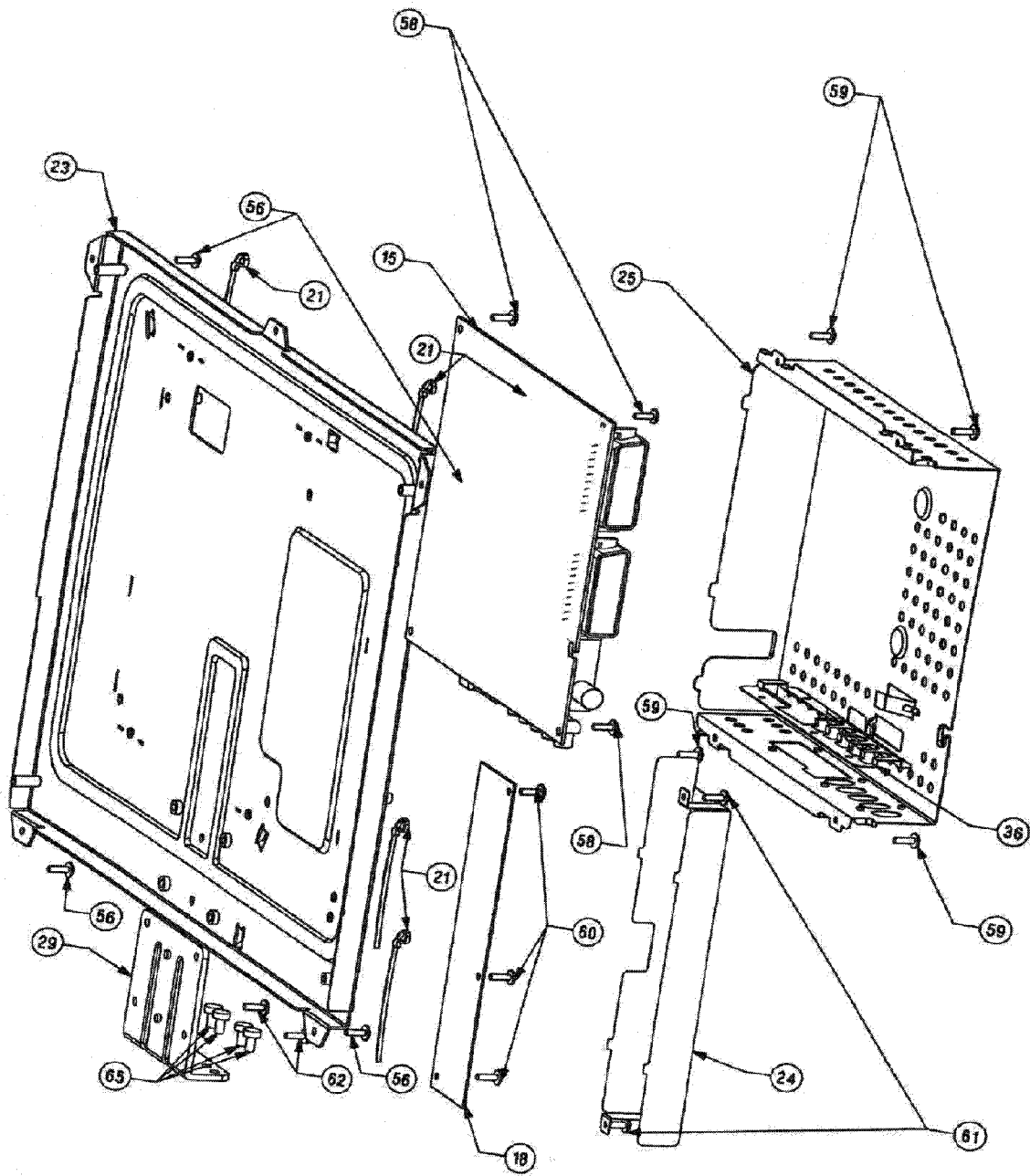
EXPLODED VIEW



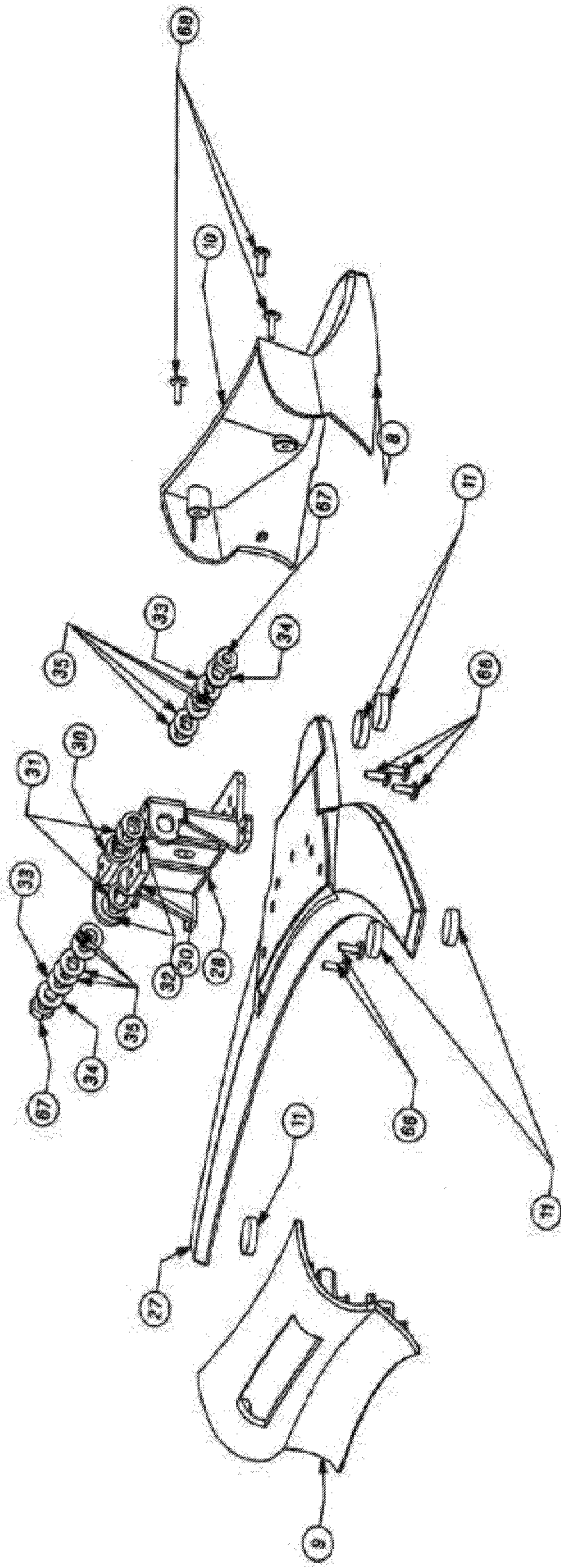
EXPLODED VIEW 1/4



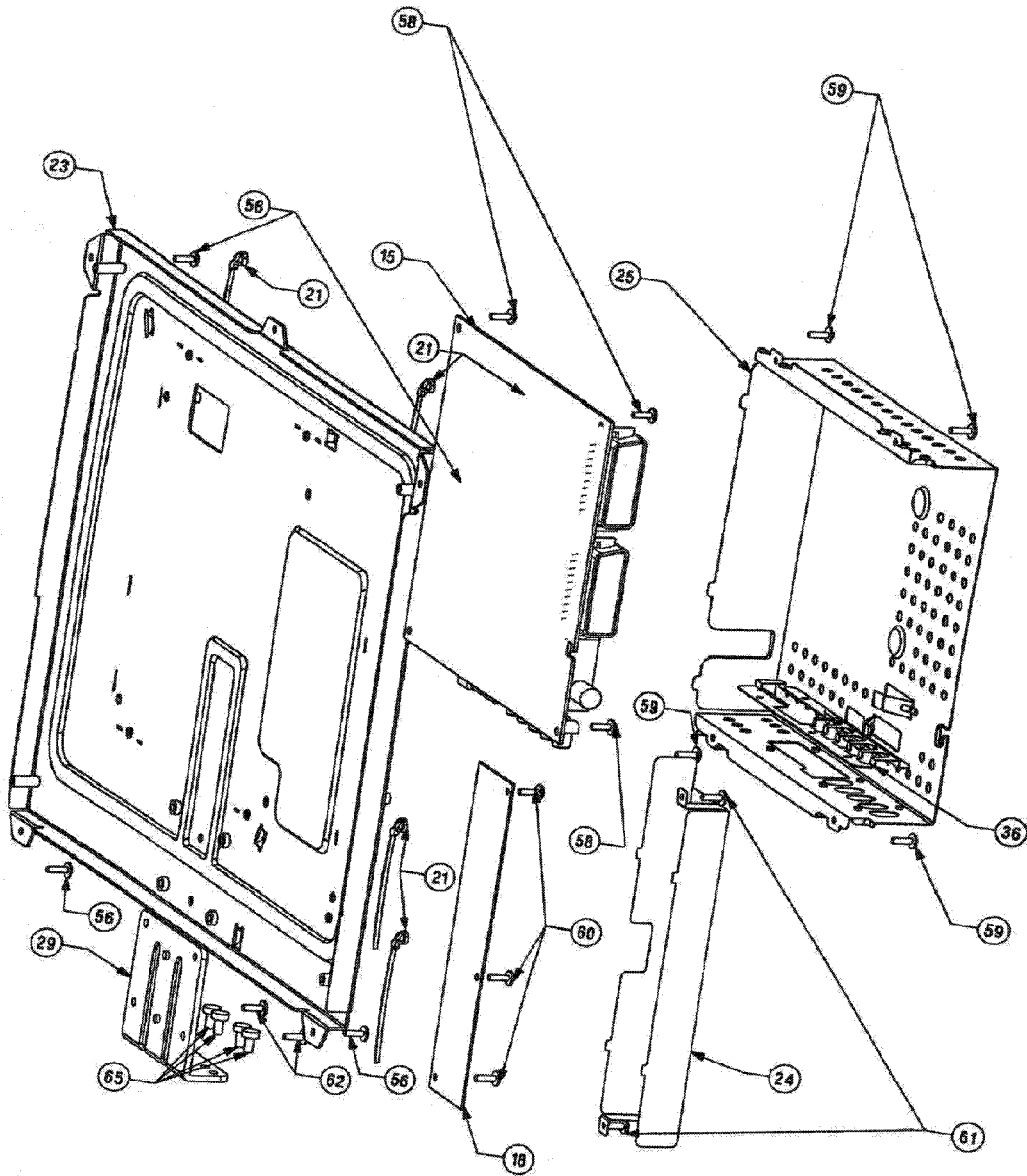
EXPLODED VIEW 2/4



EXPLODED VIEW 3/4



EXPLODED VIEW 4/4



EXPLODED VIEW PART LIST

NUMBER	PART NUMBER	DESCRIPTION	QUANTITY
1	8R9***	FRONT FRAME	1
2	8R9***	BACK COVER	1
3	8R9208	KNOB ON/OFF	1
4	8R9204	LENS IR/LED	1
5	8R9212	KNOB PROGRAM	1
6	8R9206	COVER SCART	1
7	8R9207	COVER MECHANISM	1
9	8R9219	VERTICAL LEG FRONT	1
10	8R9220	VERTICAL LEG BACK	1
11	8R9380	RUBBER LEG 17" LCD	5
14	056L17-SS1	17" LCD PANEL	1
15	*****	MAIN CHASSIS	1
16	8R9107-AS	SPEAKER	2
17	8R9172	CONTROL BOARD	1
18	8R9185	INVERTER	1
19	8R9183	HEADPHONE	1
20	8R9953	MAIN SWITCH	1
21	070510	CABLE TIE	1
23	8R9350	SCREEN FOR PANEL	1
24	8R9352	SCREEN FOR INVERTER	1
25	8R9351	SCREEN FOR CHASSIS	1
26	8R9362	HOLDER WALL FIXING	1
27	8R9353	LEG HORIZONTAL	1
28	8R9354	LEG VERTICAL-FIXED	1
29	8R9358	LEG VERTICAL-MOVING	1
30	8R9356	SHAFT BAR MECHANISM	2
31	8R9355	STOPPER	2
32	8R9357	WEAR PLATE	2
33	8R9359	WEAR PLATE PROTRUDING	2
34	8R9360	WASHER 12.5X6.2X1	2
35	8R9361	DISH WASHER	8
36	8R9363	SCREEN PART FOR OUTPUT AREA	1
50	011976	SCREW 35X14	6
51	011975	SCREW 35X22	2
52	011814	SCREW SELF TAB 2.9X9.5 YSB	2
53	011814	SCREW SELF TAB 2.9X9.5 YSB	2
54	011909	SCREW SELF TAB 2.9X6.5 YSBR-BK	1
55	011815	SCREW SELF TAB 2.9X9.5 YSBR	8
56	011908	SCREW SELF TAB 2.9X9.5 YSBR-BK	4
57	011981	SCREW M3X10 YSB DIN 7985	4
58	011982	SCREW M3X6 YSB DIN 7985	4
59	011909	SCREW SELF TAB 2.9X6.5 YSBR-BK	4
60	011982	SCREW M3X6 YSB DIN 7985	4
61	011347	SCREW SELF TAB 2.9X6.5 YSB-BK	2
62	011974	SCREW M4X8 YSB DIN 7985	4
63	011815	SCREW SELF TAB 2.9X9.5 YSBR	2
64	011814	SCREW SELF TAB 2.9X9.5 YSB	2
65	011974	SCREW M4X8 YSB DIN 7985	4
66	011974	SCREW M4X8 YSB DIN 7985	5
67	012302	M6 NUT DIN 985	2
68	011815	SCREW SELF TAB 2.9X9.5 YSBR	3

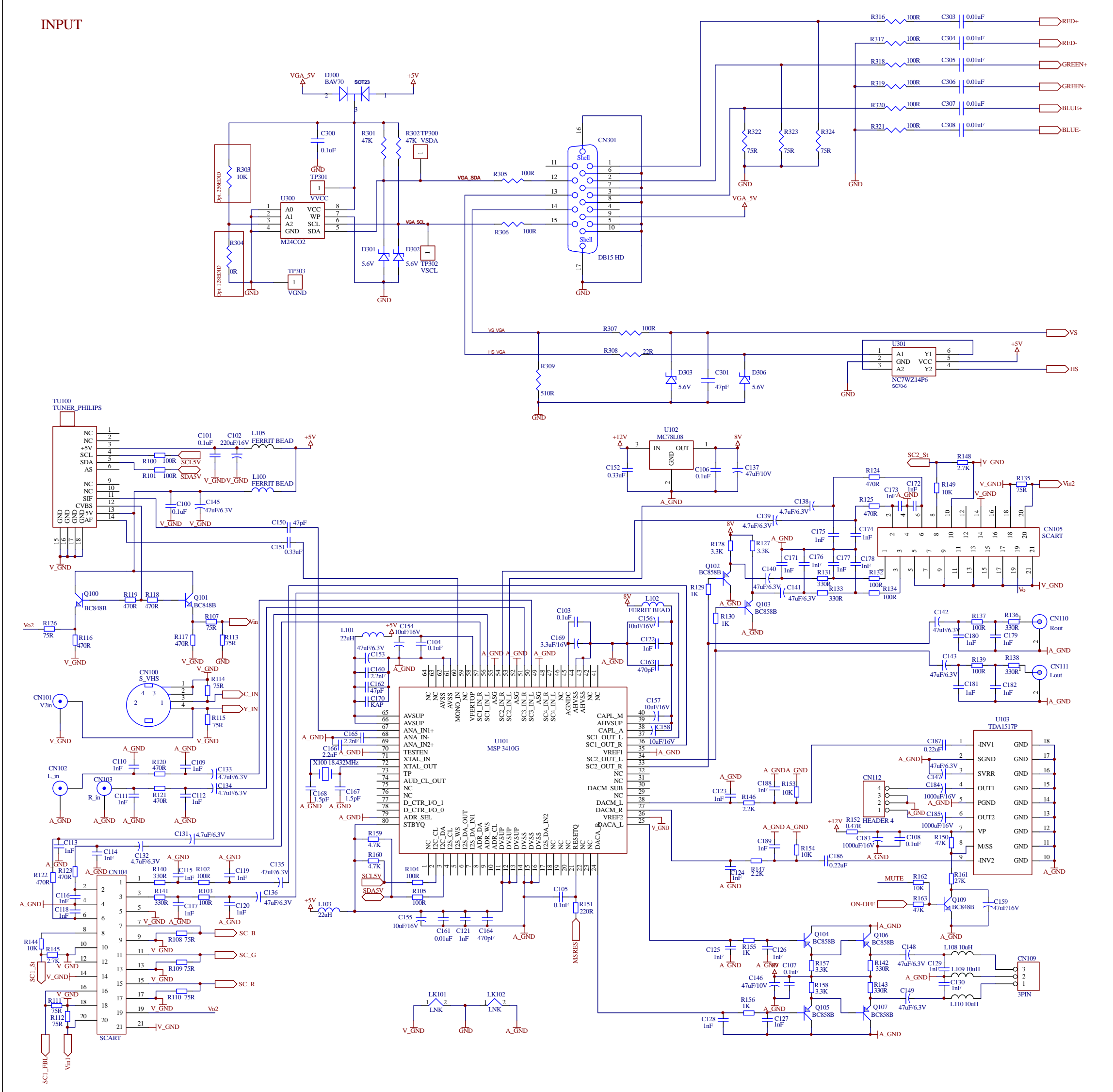
FREQUENCY TABLE (MHz)

Channel	Number	BG	I	DK	L/L'
CH	1		49.75	49.75	47.75
CH	2	48.25	59.25	59.25	55.75
CH	3	55.25	77.25	77.25	60.50
CH	4	62.25	85.25	85.25	63.75
CH	5	175.25	93.25	93.25	176.00
CH	6	182.25	175.25	175.25	184.00
CH	7	189.25	183.25	183.25	192.00
CH	8	196.25	191.25	191.25	200.00
CH	9	203.25	199.25	199.25	208.00
CH	10	210.25	207.25	207.25	216.00
CH	11	217.25	215.25	215.25	189.25
CH	12	224.25	223.25	223.25	182.25
CH	13	53.75	45.75		196.25
CH	14	62.25	53.75		210.25
CH	15	82.25	61.75		
CH	16	175.25	69.75		
CH	17	183.25	95.25		
CH	18	192.25			
CH	19	201.25			
CH	20	210.25			
CH	21	471.25	471.25	471.25	471.25
CH	22	479.25	479.25	479.25	479.25
CH	23	487.25	487.25	487.25	487.25
CH	24	495.25	495.25	495.25	495.25
CH	25	503.25	503.25	503.25	503.25
CH	26	511.25	511.25	511.25	511.25
CH	27	519.25	519.25	519.25	519.25
CH	28	527.25	527.25	527.25	527.25
CH	29	535.25	535.25	535.25	535.25
CH	30	543.25	543.25	543.25	543.25
CH	31	551.25	551.25	551.25	551.25
CH	32	559.25	559.25	559.25	559.25
CH	33	567.25	567.25	567.25	567.25
CH	34	575.25	575.25	575.25	575.25
CH	35	583.25	583.25	583.25	583.25
CH	36	591.25	591.25	591.25	591.25
CH	37	599.25	599.25	599.25	599.25
CH	38	607.25	607.25	607.25	607.25
CH	39	615.25	615.25	615.25	615.25
CH	40	623.25	623.25	623.25	623.25
CH	41	631.25	631.25	631.25	631.25
CH	42	639.25	639.25	639.25	639.25
CH	43	647.25	647.25	647.25	647.25
CH	44	655.25	655.25	655.25	655.25

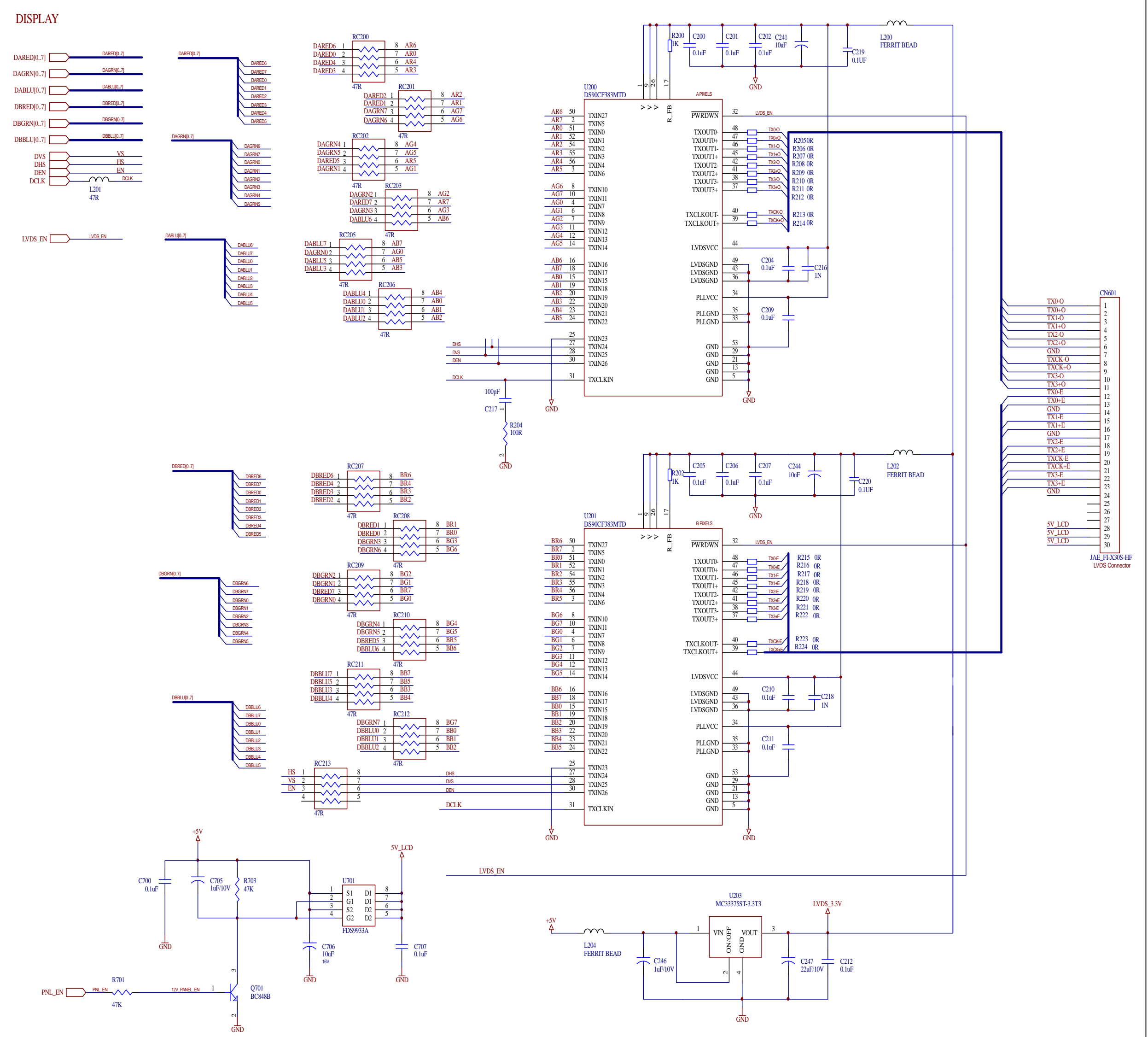
Channel	Number	BG	I	DK	L/L'
CH	45	663.25	663.25	663.25	663.25
CH	46	671.25	671.25	671.25	671.25
CH	47	679.25	679.25	679.25	679.25
CH	48	687.25	687.25	687.25	687.25
CH	49	695.25	695.25	695.25	695.25
CH	50	703.25	703.25	703.25	703.25
CH	51	711.25	711.25	711.25	711.25
CH	52	719.25	719.25	719.25	719.25
CH	53	727.25	727.25	727.25	727.25
CH	54	735.25	735.25	735.25	735.25
CH	55	743.25	743.25	743.25	743.25
CH	56	751.25	751.25	751.25	751.25
CH	57	759.25	759.25	759.25	759.25
CH	58	767.25	767.25	767.25	767.25
CH	59	775.25	775.25	775.25	775.25
CH	60	783.25	783.25	783.25	783.25
CH	61	791.25	791.25	791.25	791.25
CH	62	799.25	799.25	799.25	799.25
CH	63	807.25	807.25	807.25	807.25
CH	64	815.25	815.25	815.25	815.25
CH	65	823.25	823.25	823.25	823.25
CH	66	831.25	831.25	831.25	831.25
CH	67	839.25	839.25	839.25	839.25
CH	68	847.25	847.25	847.25	847.25
CH	69	855.25	855.25	855.25	855.25
CH	70		863,25		863.25
CH	71		871,25		
CH	72		879,25		
CH	73		887,25		160.00
CH	74	69.25			172.00
CH	75	76.25			220.00
CH	76	83.25			232.00
CH	77	90.25			244.00
CH	78	97.25			256.00
CH	79	59.25			268.00
CH	80	93.25			280.00
S	1	105.25	103.25	103.25	116.75
S	2	112.25	111.25	111.25	128.75
S	3	119.25	119.25	119.25	140.75
S	4	126.25	127.25	127.25	152.75
S	5	133.25	135.25	135.25	164.75
S	6	140.25	143.25	143.25	176.75
S	7	147.25	151.25	151.25	188.75
S	8	154.25	159.25	159.25	200.75
S	9	161.25	167.25	167.25	212.75
S	10	168.25	231.25	231.25	224.75
S	11	231.25	239.25	239.25	236.75
S	12	238.25	247.25	247.25	248.75
S	13	245.25	255.25	255.25	260.75
S	14	252.25	263.25	263.25	272.75

Channel	Number	BG	I	DK	L/L'
S	15	259.25	271.25	271.25	284.75
S	16	266.25	279.25	279.25	296.75
S	17	273.25	287.25	287.25	55.75
S	18	280.25	295.25	295.25	60.50
S	19	287.25	303.25	303.25	63.75
S	20	294.25			
S	21	303.25			303.25
S	22	311.25	311.25	311.25	311.25
S	23	319.25	319.25	319.25	319.25
S	24	327.25	327.25	327.25	327.25
S	25	335.25	335.25	335.25	335.25
S	26	343.25	343.25	343.25	343.25
S	27	351.25	351.25	351.25	351.25
S	28	359.25	359.25	359.25	359.25
S	29	367.25	367.25	367.25	367.25
S	30	375.25	375.25	375.25	375.25
S	31	383.25	383.25	383.25	383.25
S	32	391.25	391.25	391.25	391.25
S	33	399.25	399.25	399.25	399.25
S	34	407.25	407.25	407.25	407.25
S	35	415.25	415.25	415.25	415.25
S	36	423.25	423.25	423.25	423.25
S	37	431.25	431.25	431.25	431.25
S	38	439.25	439.25	439.25	439.25
S	39	447.25	447.25	447.25	447.25
S	40	455.25	455.25	455.25	455.25
S	41	463.25	463.25	463.25	463.25

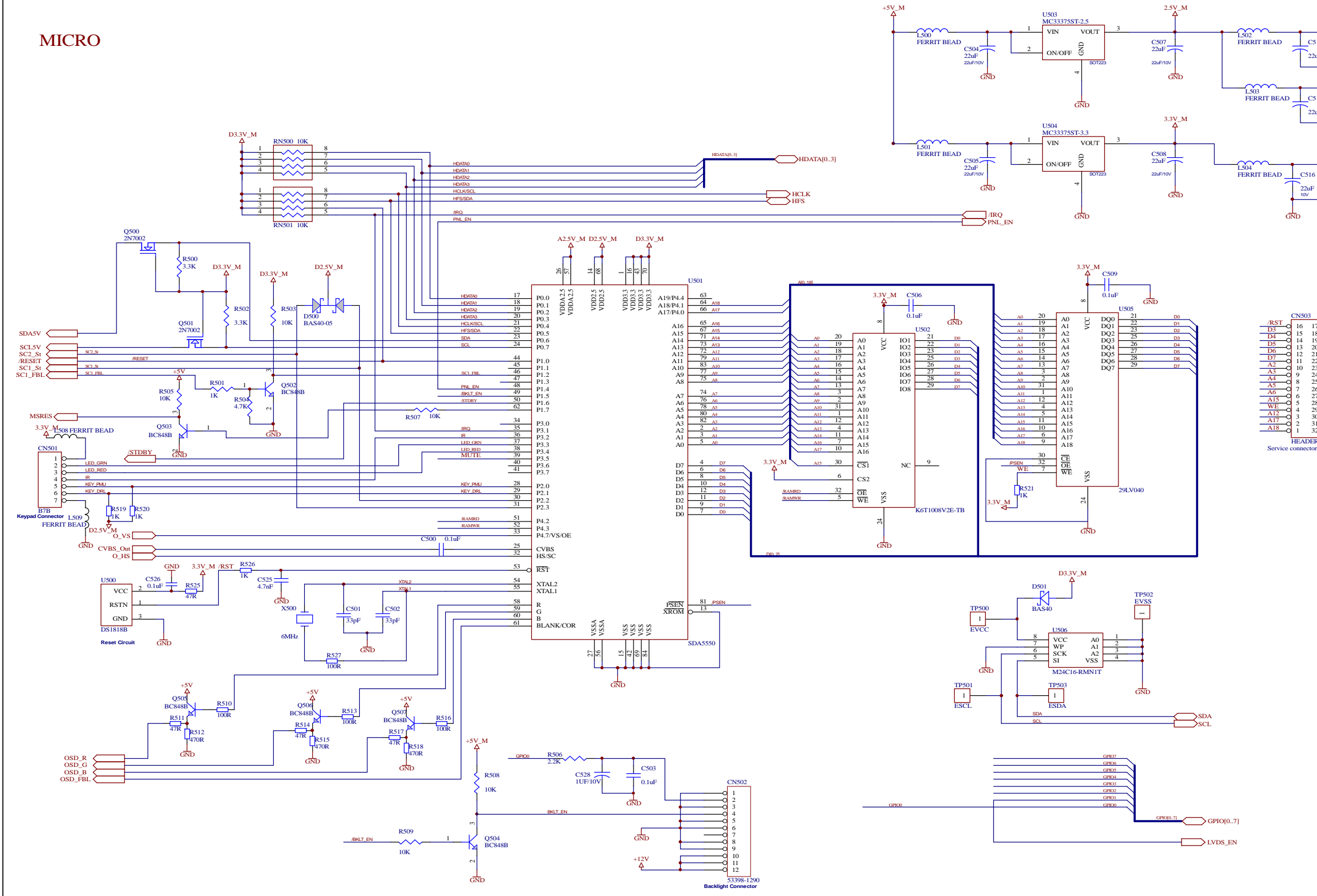
INPUT



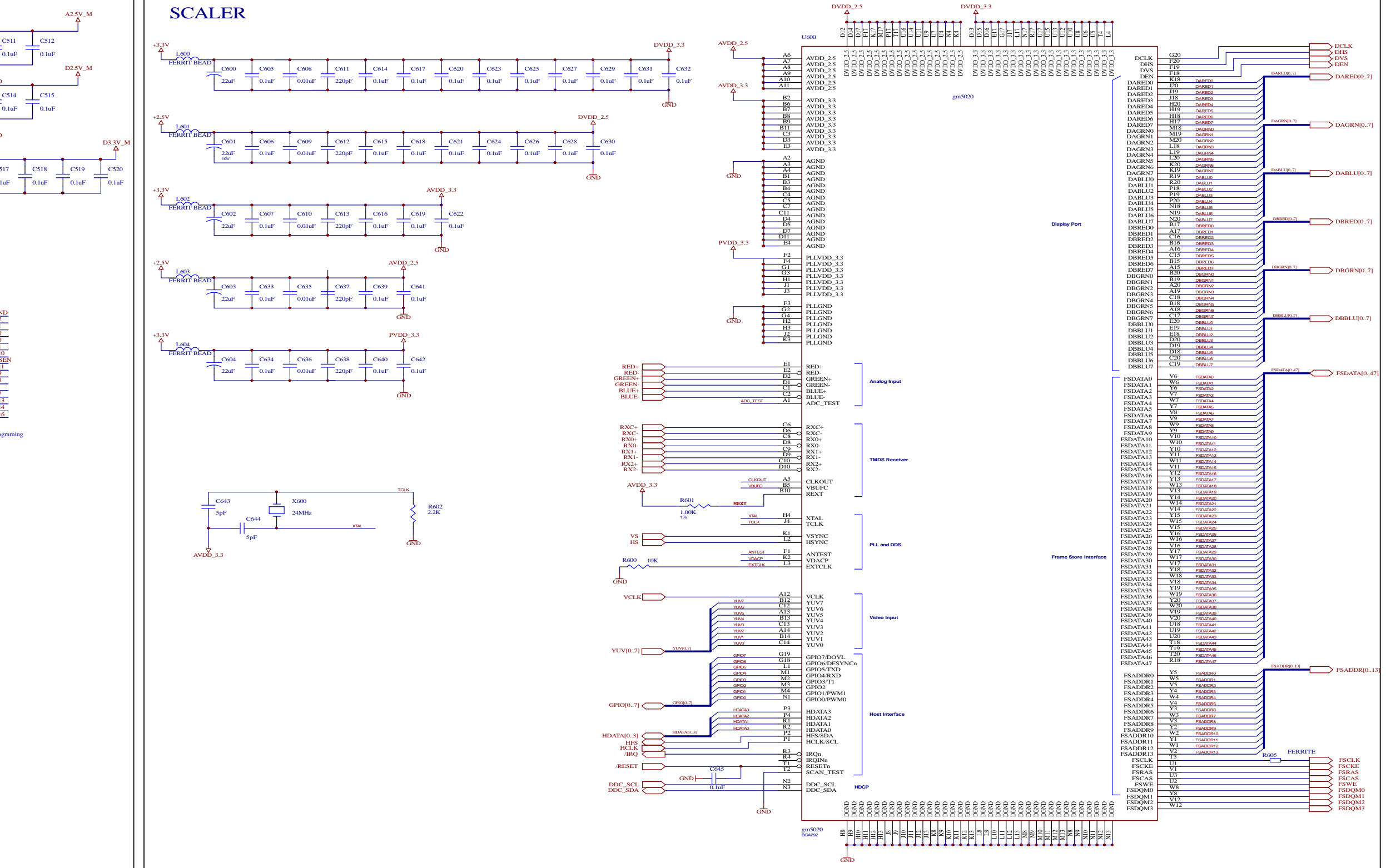
DISPLAY



MICRO



SCALER



If you need more information on Computer and Electronic Repair, please visit these websites to improve yourself.

<http://www.fastrepairguide.com>

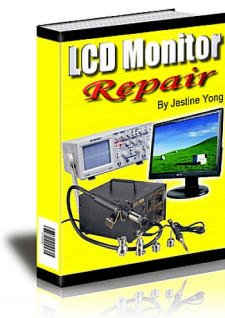
<http://www.protech2u.com>

<http://www.plasma-television-repair.com>

<http://www.lcd-television-repair.com>

Happy Repairing!!

Highly Recommended Repair Ebook:

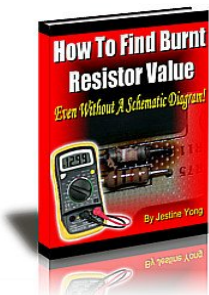


If you're a LCD Monitor repairer, then this is the best guide for you. Why? Because, the author revealed all his LCD Monitor Repairing secrets for you. I think, with just few Repair tips you learned from this guide you will get back your investment!

[Click Here to read](#) more.



This eBook will show you how to test the electronic component correctly and accurately. Some of you may say that I don't need this eBook because it is too simple! Do you know that, in fact there is lots of testing electronic components secrets I have learned from this guide? Do you know how to test a 'TRIAC' correctly and accurately? If you answer no then I guess you have to get this eBook. [Click Here to read more.](#)



Are you tired of searching the service manuals to look for the value of a burnt resistor? If the answer is YES, then this eBook is a 'must have' guide for you. You can save a lot of time and be able to repair customer's Electronic equipment with burnt resistors in it.

[Click here to read more.](#)